

SPECIFICATIONS

General information

- Plank Hardwood weight : 3.07 lbs/ft²
- 7.87" wide by 55-1/8" to 86-5/8" long random length planks with micro-bevel
- 5/32" thick A/B grade white oak hardwood on a 15/32" birch backer board with .04" magnetic backing
- .018" thick color matched edge band on sides and ends.
- Available with the following shades:

<input type="checkbox"/> Bianco Pallido	<input type="checkbox"/> Natural
<input type="checkbox"/> Bianco Plus	<input type="checkbox"/> Noce Scuro
<input type="checkbox"/> Castagno	<input type="checkbox"/> Marrone Antico
<input type="checkbox"/> Country Grigio	<input type="checkbox"/> Marrone Sbiancato
<input type="checkbox"/> Dark Decapato	<input type="checkbox"/> Sawmill Fog
<input type="checkbox"/> Decapato Bianco	<input type="checkbox"/> Sawmill Fume
<input type="checkbox"/> Fog	<input type="checkbox"/> Sbiancato
<input type="checkbox"/> Fume	<input type="checkbox"/> Wenge
- **Site conditions must be maintained at a constant temperature of 50° F to 86° F and Relative Humidity of 40% to 60% without drastic changes. This is required prior to, during and after installation**

EXPANSION JOINTS

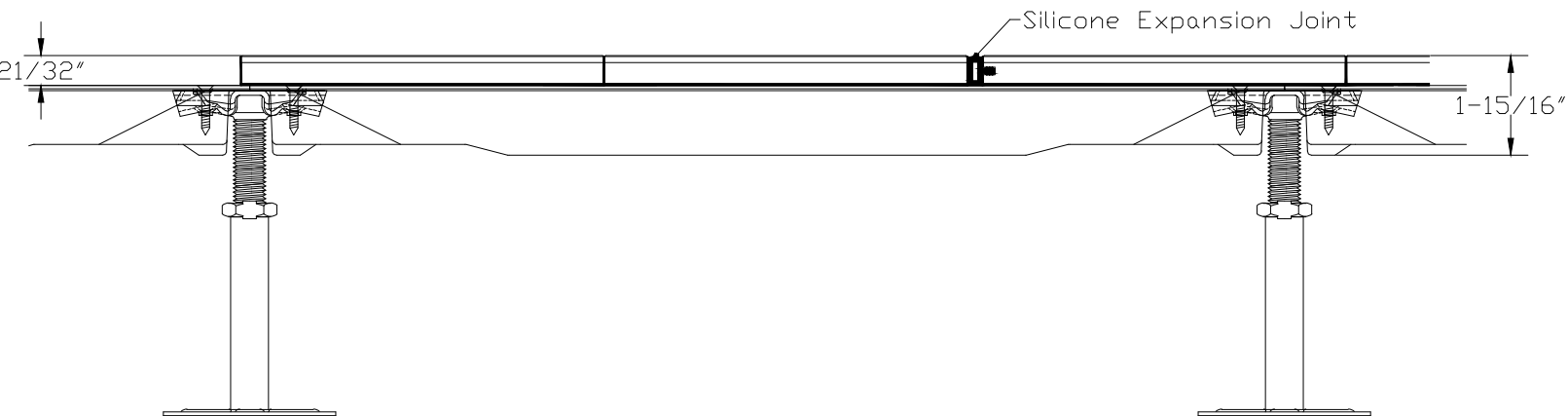
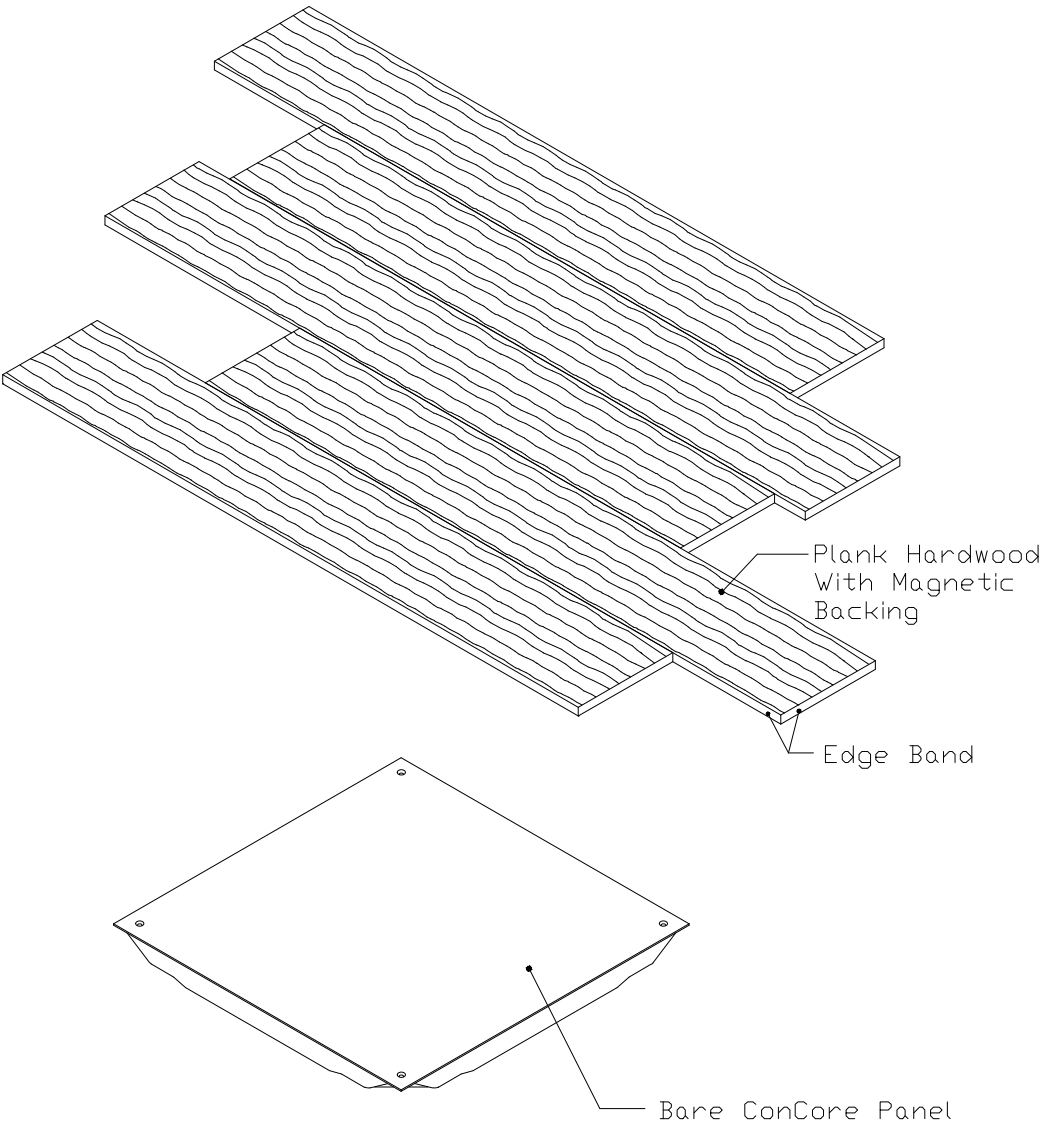
Color matched silicone expansion joints are required every 50' in width and every 100' in length of planks and around the entire perimeter of the installation

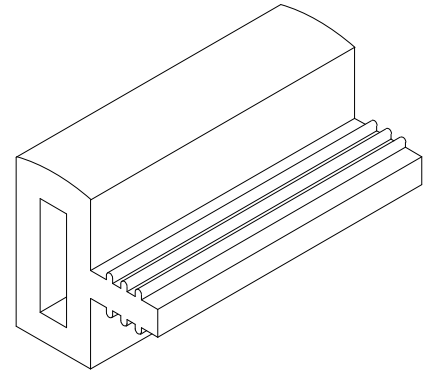
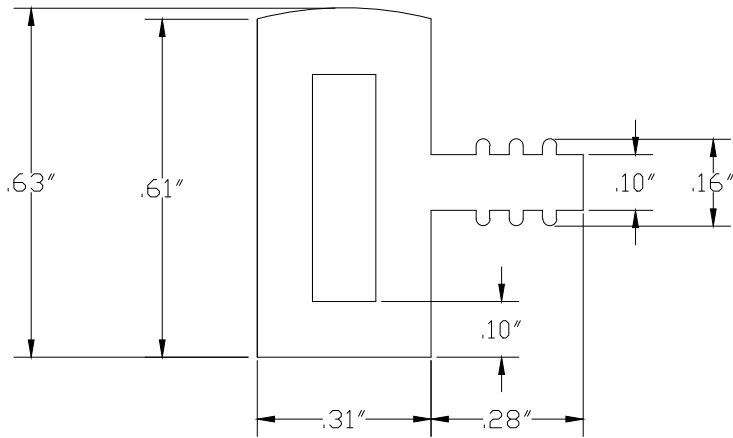
SEALERS

Attiro Plank Hardwood is pre-finished at the factory with a brushed oil wax lacquer finish

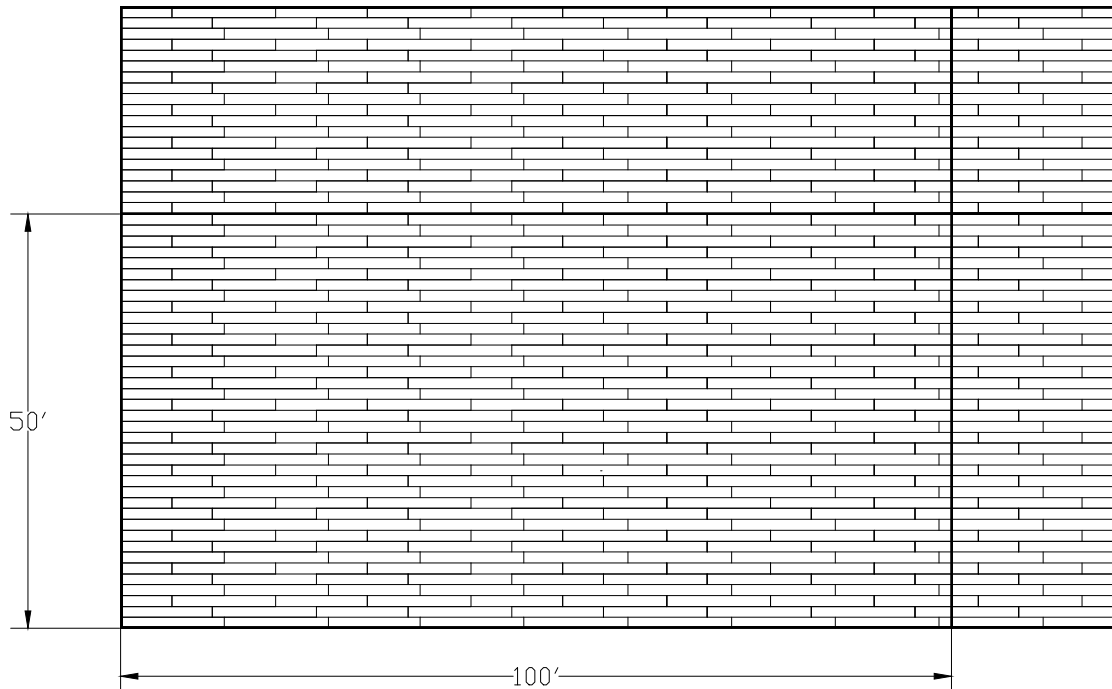
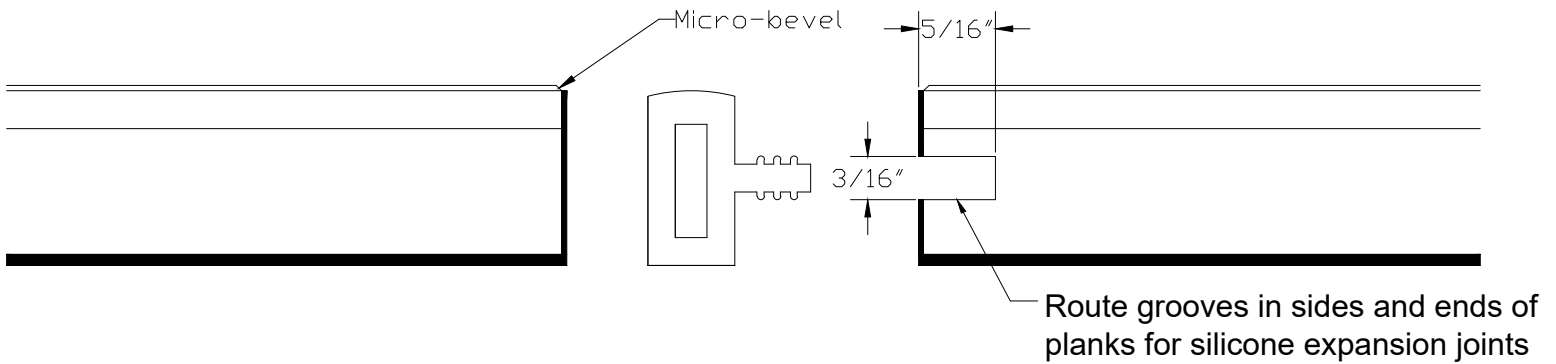
COMPATIBLE ACCESS FLOOR SYSTEM

- Panels: ConCore 1000, 1250 or 1500 bare panels. Refer to bare panel data sheets for additional information
- Understructure:
 - Posilock System
 - Low Finished Floor Height Posilock System
 - Bolted Stringer/Cornerlock Combo System





Silicone Expansion Joint



5/16" wide color matched silicone expansion joints are required every 50' in width and every 100' in length of planks and around entire perimeter of installation