

Fabrications, Safety, Energy & Lighting Solutions
UK & Ireland

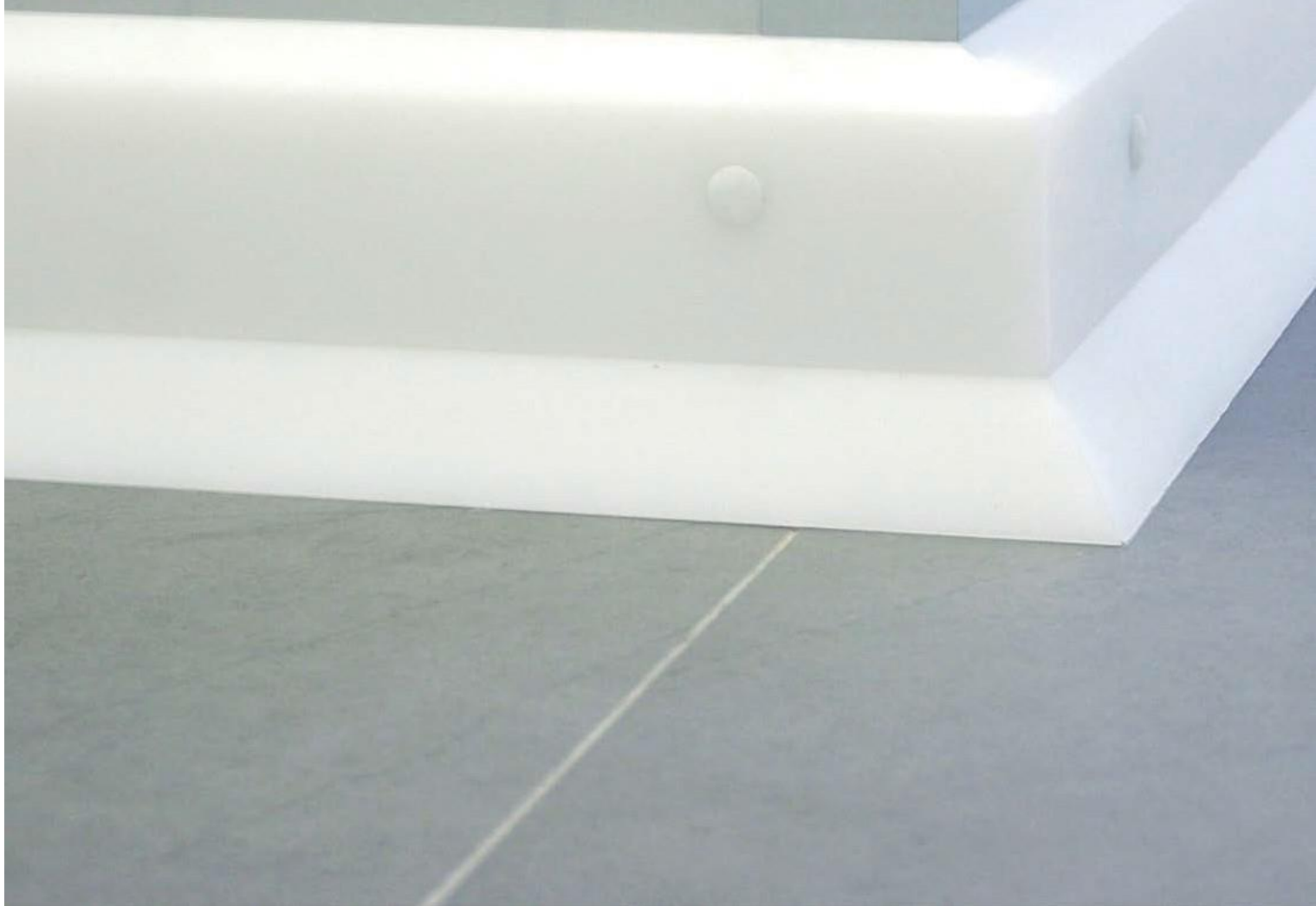
Protected by



SafeDefence Safety Solutions

KPSTrim Product Data Sheet

SafeDefence Barrier Protection Systems



SafeDefence Barrier Protection Systems

SafeDefence Barrier Protection Systems consist of high-performance, high-density polyethylene around a metal support, tested and certified to provide protection to people and structures from the impact of machinery.

The range includes:

- KPSPost for the protection of walls, doors and corners;
- KPSTrim impact resistant plinth for protection at the base of building corners, columns and walls;
- KPSRail for the protection of people in areas of forklift and other mobile machinery;
- KPSBarrier-S, KPSBarrier-D and KPSBarrier-H to protect walls, columns and other objects at varying heights.

Testing

The University of Engineering and Architecture of Zaragoza, Spain, undertook a crash test with our Barrier Protection Systems to analyse the energy supported by our products and their impact resistance behaviour. Test results indicate that our Barrier Protection Systems products offer better impact protection than all others on the market due to their resistance and elasticity.

Materials

Barrier Protection products are manufactured from solid* high-density polyethylene designed to bend at the metal rod section with a force of over 10Tm, preventing floor and barrier breakage. Their simple construction and installation means they can be repaired or replaced immediately with minimum cost.

All products are located and installed independent of the elements to be protected, removing the risk of damage from impact transmission.

Hygienic and easy clean, low maintenance and carrying food-quality certification, these high-density polyethylene protective barrier systems are especially suitable for the agri-food industry.

* KPSBarrier-H is manufactured from polyethylene but has a hollow construction.

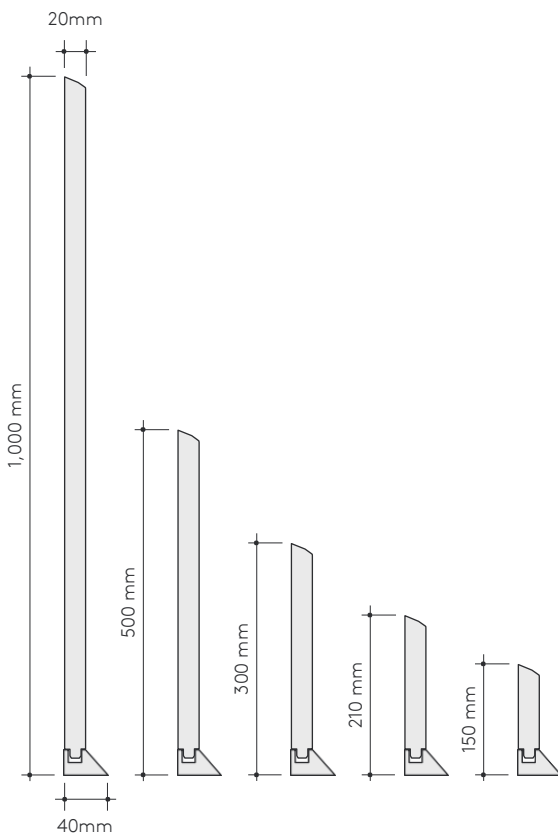


KPSTrim

Technical Data

Manufactured from unbreakable HDPE, KPSTrim is a two-piece protective plinth for protection at the base of building corners, columns and walls.

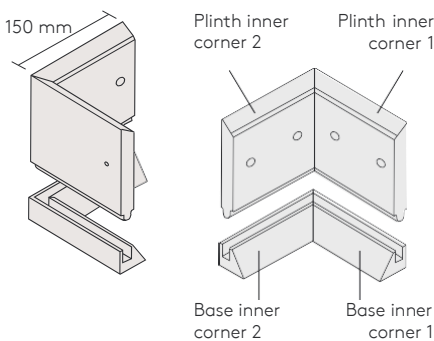
Supplied in 2 metre lengths and available in various heights, KPSTrim is easy to install, fixing to both floor and wall with hidden fasteners. Its high impact resistance makes it ideal for trafficked areas.



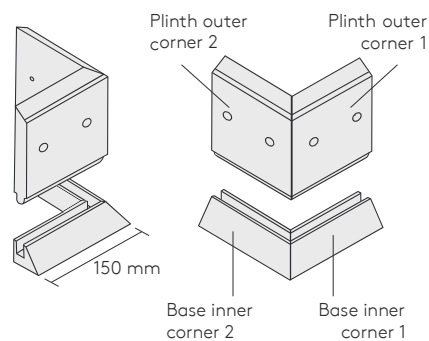
Technical Specification

KPSTrim	
Standard length	2 m
Height	1,000 mm, 500 mm, 300 mm, 210 mm, 150 mm
Base thickness (± 1 mm)	40 mm
Plinth thickness (± 1 mm)	20 mm
Density	0.91 g/cm ³
Conduction coefficient	0.17 W/m ² °C
Linear expansion ratio (mean)	1.6 · 10 ⁻⁴
Breaking elongation	70 %
Working temperature range (max. / min.)	60 °C / -20 °C
Impact resistance	7
Shore hardness	72
Chemical resistance - acids / alkalis	Excellent
Fire reaction DIN 4102	B2

Inner Corner



Outer Corner



United Kingdom

Kingspan Limited

Greenfield Business Park No.2, Greenfield,
Holywell, Flintshire, North Wales CH8 7GJ
T: +44 (0) 1352 716100
F: +44 (0) 1352 710161
www.kingspanpanels.co.uk

United Kingdom

Kingspan Limited

Sherburn, Malton
North Yorkshire
YO17 8PQ
T: +44 (0) 1944 712000
F: +44 (0) 1944 710830
www.kingspanpanels.co.uk

Ireland

Kingspan Limited

Carrickmacross Road
Kingscourt, Co. Cavan
A82 E897
T: +353 (0) 42 96 98500
F: +353 (0) 42 96 98572
info.ire@kingspanpanels.com
www.kingspanpanels.ie

For the product offering in other markets please contact your local sales representative or visit www.kingspanpanels.com

Care has been taken to ensure that the contents of this publication are accurate, but Kingspan Limited and its subsidiary companies do not accept responsibility for errors or for information that is found to be misleading. Suggestions for, or description of, the end use or application of products or methods of working are for information only and Kingspan Limited and its subsidiaries accept no liability in respect thereof.