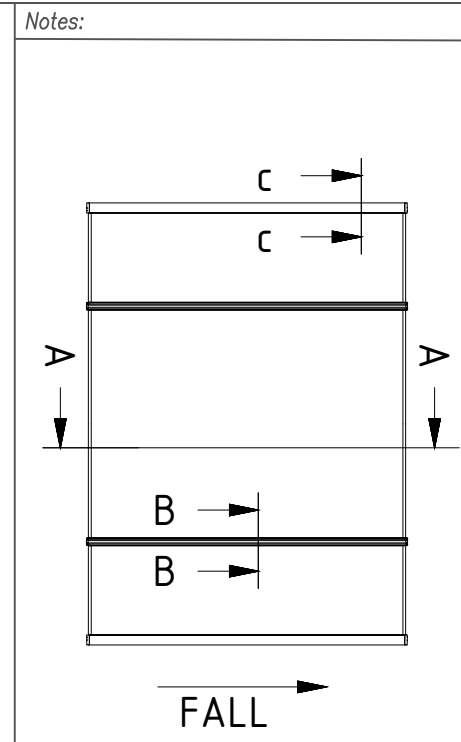
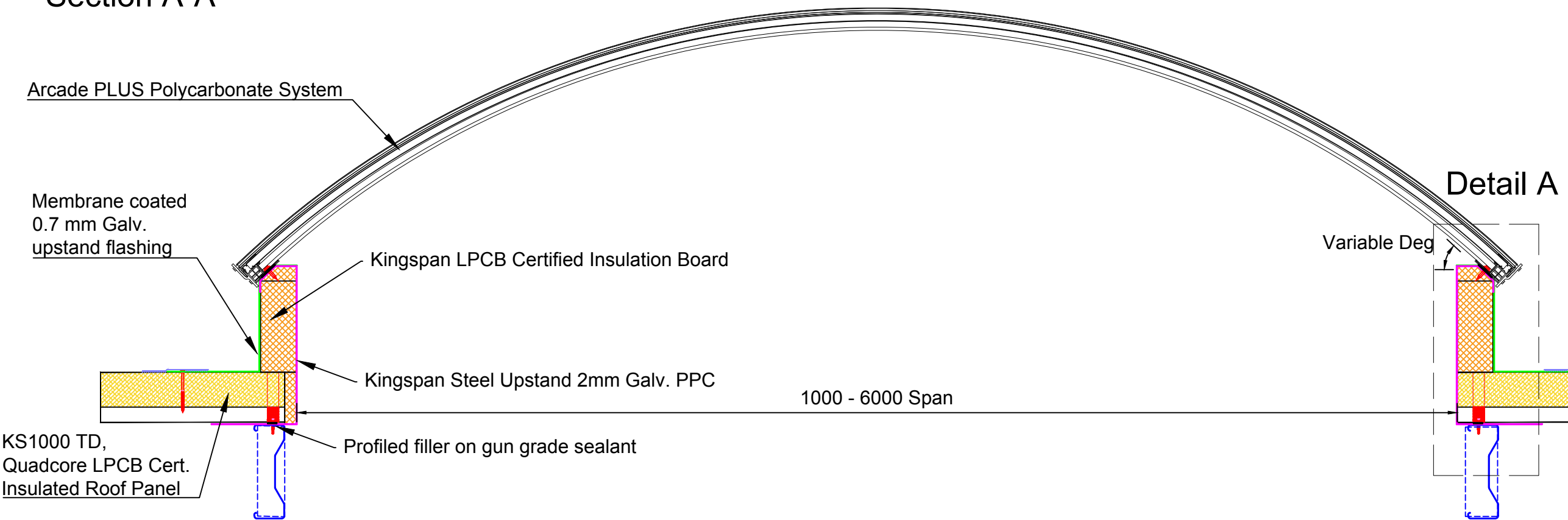
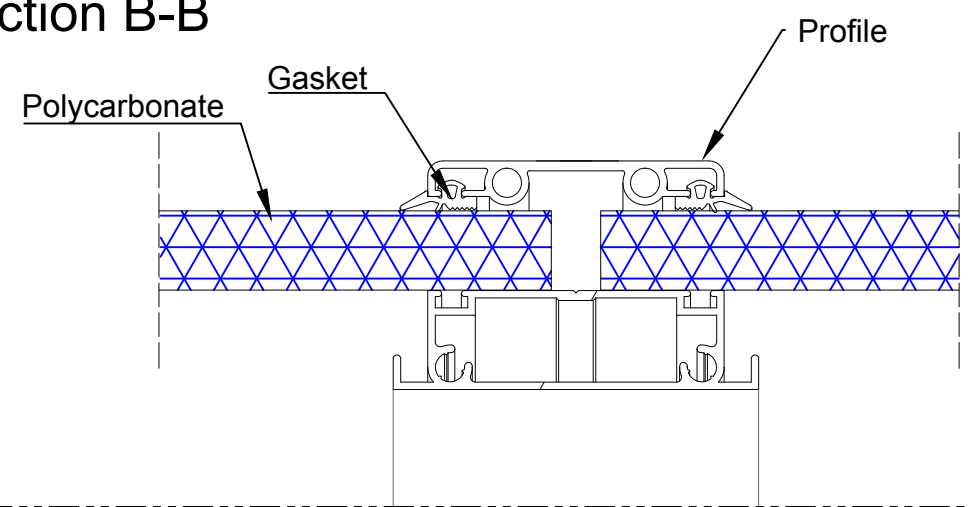


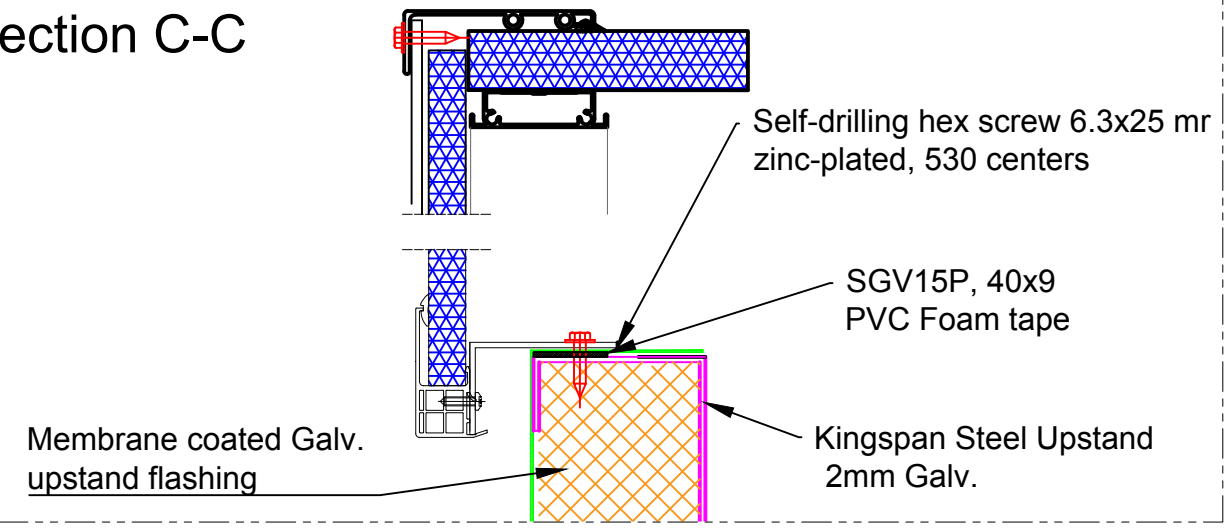
Section A-A



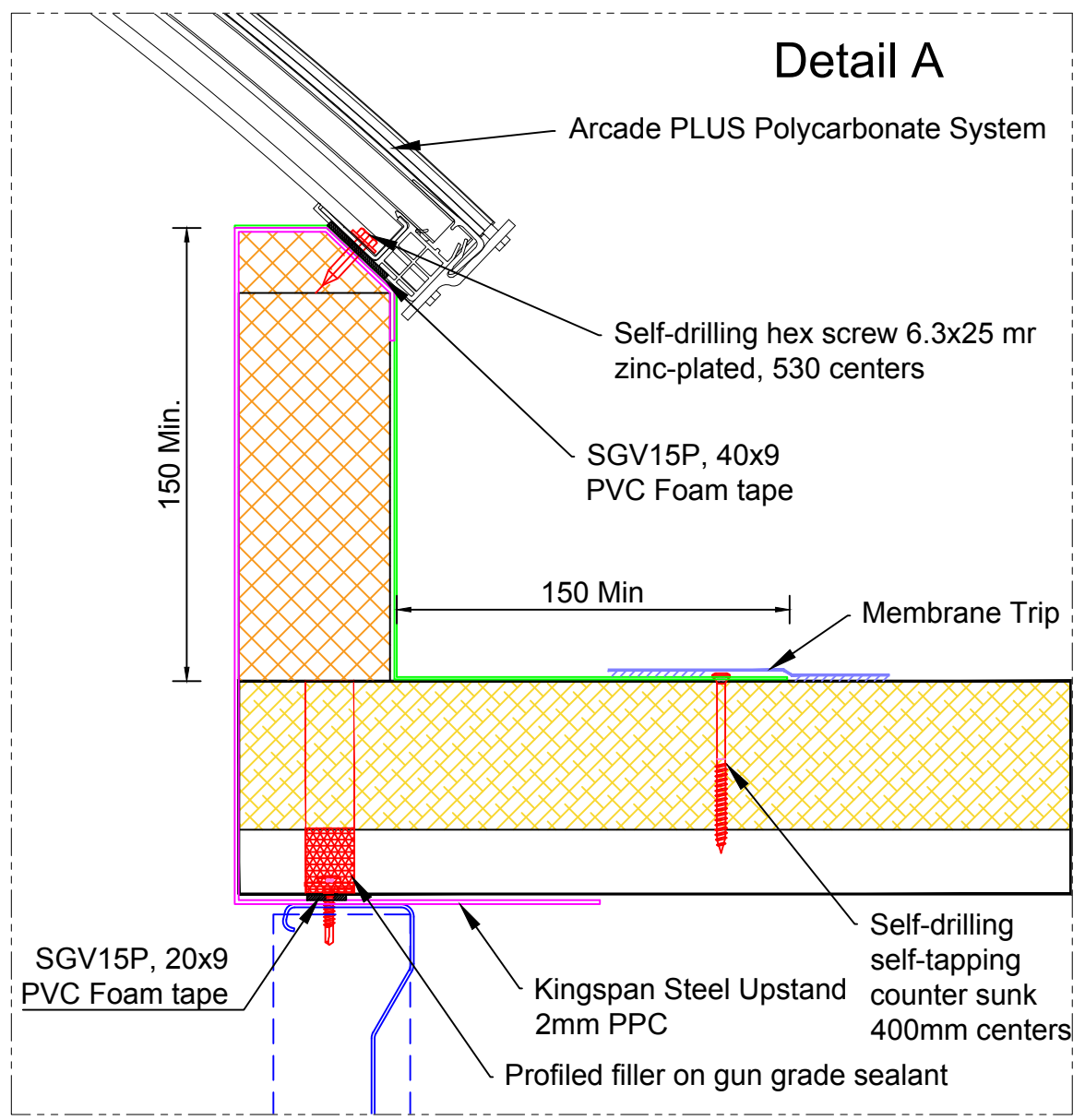
Section B-B



Section C-C



Detail A



REV#	DESCRIPTION	BY:	DATE:
<p>Kingspan Light + Air (UK & Ireland) Limited Unit 7 Mellyn Mair Business Centre, Lamby Industrial Park, Wentloog Avenue Cardiff CF3 2EX United Kingdom T: +44 (0) 2920 776160</p>			
<p>Kingspan Ltd. Unit 2 Greenfield Business Pk, 2 Bagillt Rd, Holywell CH8 7GJ T: 01352 716100</p>			
<p>TITLE: Arcade PLUS on TD Roof Panel</p>			
SCALE AT A3:	DATE: 31/5/2019	DRAWN:	CHECKED:
PROJECT NO:	DRAWING NO:	REVISION:	01