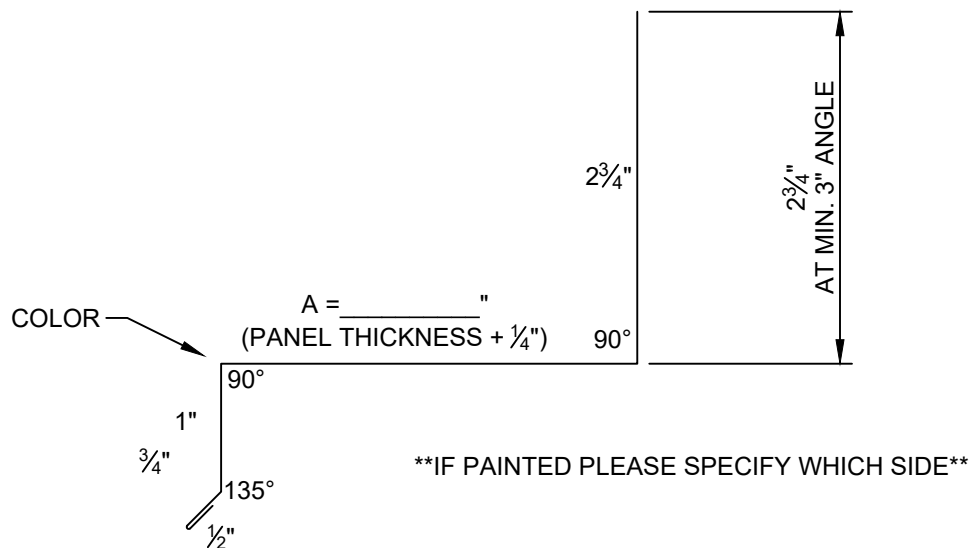


KINGSPAN BREAK FORM TRIMS

TRIM GIRTH:	QUANTITY OF BREAKS: 2
QUANTITY REQUIRED:	AT 10'-0" LENGTH (TO BE FIELD CUT AS REQUIRED)
GAUGE: <input type="checkbox"/> 26GA <input type="checkbox"/> 24GA <input type="checkbox"/> 22GA	
COLOR:	
EMBOSSMENT: <input type="checkbox"/> STUCCO EMBOSSED <input type="checkbox"/> AZTECO EMBOSSED <input type="checkbox"/> SMOOTH	
FINISH: <input type="checkbox"/> STANDARD KYNAR <input type="checkbox"/> MP/SMP <input type="checkbox"/> OTHER:	



TRIM DIMENSION		
PANEL THICKNESS	DIM. "A"	STRETCH OUT
2"	2 1/4"	7 1/4"
2 1/2"	2 3/4"	7 3/4"
3"	3 1/4"	8 1/4"
4"	4 1/4"	9 1/4"
5"	5 1/4"	10 1/4"
6"	6 1/4"	11 1/4"

TRIM PROFILES AND DIMENSIONS ARE BASED UPON THE PUBLISHED KINGSPAN CONSTRUCTION DETAILS. ALL DIMENSIONS REQUIRE VERIFICATION. CUSTOM PROFILES AVAILABLE UPON REQUEST. THE ABOVE TRIM COMPONENT IS BASED UPON THE FOLLOWING KINGSPAN DETAILS:

CI-BS-02-KSH CI-VJ-15-KSH
 CI-BS-CMU-02-KSH
 CI-VJ-14-KSH

BASE FLASHING

DETAIL #: KS SERIES HORIZ

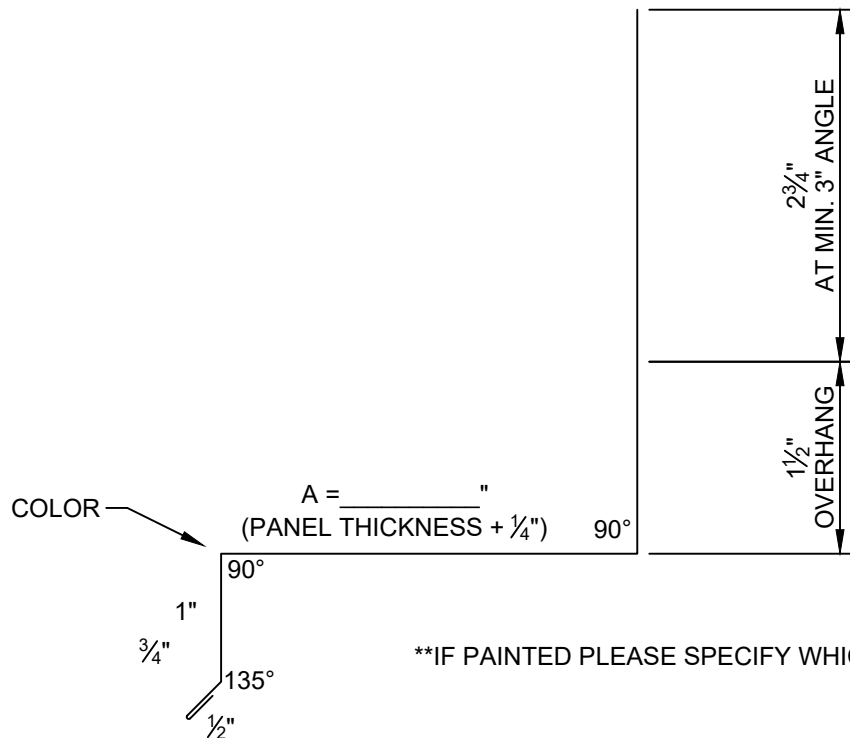
DATE: 2021



www.kingspanpanels.us
www.kingspanpanels.ca

KINGSPAN BREAK FORM TRIMS

TRIM GIRTH:	QUANTITY OF BREAKS: 2
QUANTITY REQUIRED:	AT 10'-0" LENGTH (TO BE FIELD CUT AS REQUIRED)
GAUGE: <input type="checkbox"/> 26GA <input type="checkbox"/> 24GA <input type="checkbox"/> 22GA	
COLOR:	
EMBOSSMENT: <input type="checkbox"/> STUCCO EMBOSSED <input type="checkbox"/> AZTECO EMBOSSED <input type="checkbox"/> SMOOTH	
FINISH: <input type="checkbox"/> STANDARD KYNAR <input type="checkbox"/> MP/SMP <input type="checkbox"/> OTHER:	



TRIM DIMENSION		
PANEL THICKNESS	DIM. "A"	STRETCH OUT
2"	2 1/4"	8 3/4"
2 1/2"	2 3/4"	9 1/4"
3"	3 1/4"	9 3/4"
4"	4 1/4"	10 3/4"
5"	5 1/4"	11 3/4"
6"	6 1/4"	1'-0 3/4"

TRIM PROFILES AND DIMENSIONS ARE BASED UPON THE PUBLISHED KINGSPAN CONSTRUCTION DETAILS. ALL DIMENSIONS REQUIRE VERIFICATION. CUSTOM PROFILES AVAILABLE UPON REQUEST. THE ABOVE TRIM COMPONENT IS BASED UPON THE FOLLOWING KINGSPAN DETAILS:

CI-BS-06-KSH
CI-BS-CMU-05-KSH

BASE FLASHING

DETAIL #: KS SERIES HORIZ

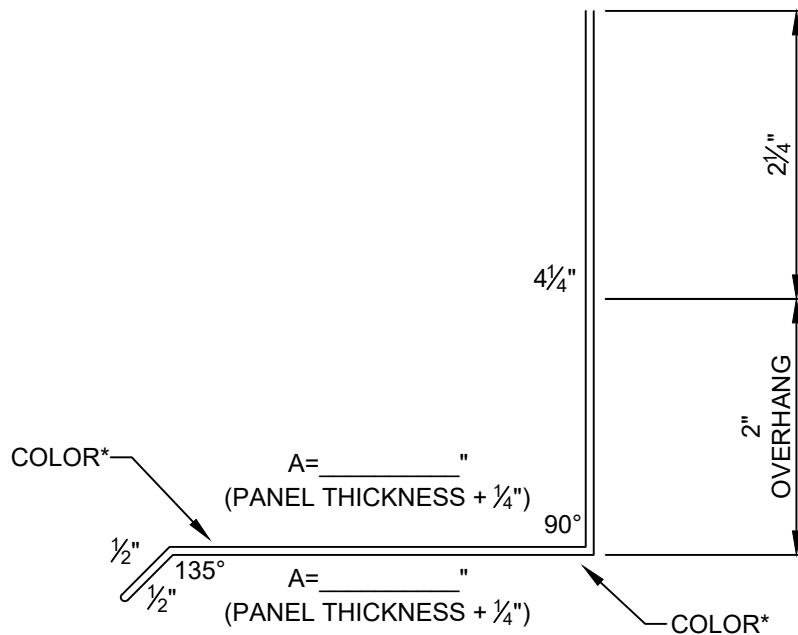
DATE: 2021



www.kingspanpanels.us
www.kingspanpanels.ca

KINGSPAN BREAK FORM TRIMS

TRIM GIRTH:	QUANTITY OF BREAKS: 6
QUANTITY REQUIRED:	AT 10'-0" LENGTH (TO BE FIELD CUT AS REQUIRED)
GAUGE: <input type="checkbox"/> 26GA <input type="checkbox"/> 24GA <input type="checkbox"/> 22GA	
COLOR:	
EMBOSSMENT: <input type="checkbox"/> STUCCO EMBOSSED <input type="checkbox"/> AZTECO EMBOSSED <input type="checkbox"/> SMOOTH	
FINISH: <input type="checkbox"/> STANDARD KYNAR <input type="checkbox"/> MP/SMP <input type="checkbox"/> OTHER:	



*TRIM IS DOUBLED OVER FOR COLOR BOTH SIDES

TRIM DIMENSION		
PANEL THICKNESS	DIM. "A"	STRETCH OUT
2"	2 1/4"	13 1/2"
2 1/2"	2 3/4"	14 1/2"
3"	3 1/4"	15 1/2"
4"	4 1/4"	17 1/2"
5"	5 1/4"	19 1/2"
6"	6 1/4"	21 1/2"

TRIM PROFILES AND DIMENSIONS ARE BASED UPON THE PUBLISHED KINGSPAN CONSTRUCTION DETAILS. ALL DIMENSIONS REQUIRE VERIFICATION. CUSTOM PROFILES AVAILABLE UPON REQUEST. THE ABOVE TRIM COMPONENT IS BASED UPON THE FOLLOWING KINGSPAN DETAILS:

CI-BS-CMU-04-KSH

BASE FLASHING

DETAIL #: KS SERIES HORIZ

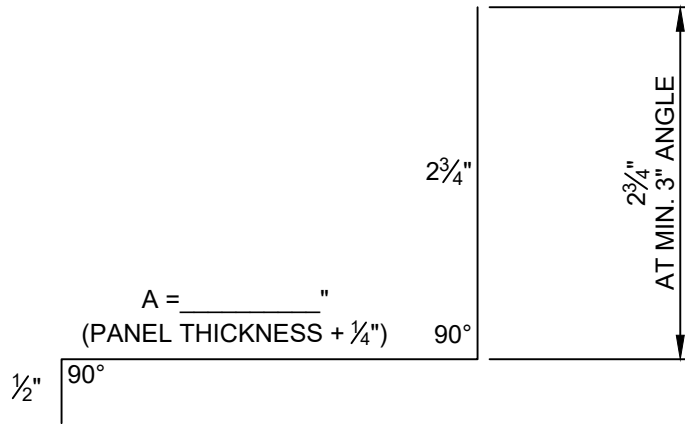
DATE: 2021



www.kingspanpanels.us
www.kingspanpanels.ca

KINGSPAN BREAK FORM TRIMS

TRIM GIRTH:	QUANTITY OF BREAKS: 2
QUANTITY REQUIRED:	AT 10'-0" LENGTH (TO BE FIELD CUT AS REQUIRED)
GAUGE: <input type="checkbox"/> 26GA <input type="checkbox"/> 24GA <input type="checkbox"/> 22GA	
COLOR:	
EMBOSSMENT: <input type="checkbox"/> STUCCO EMBOSSED <input type="checkbox"/> AZTECO EMBOSSED <input type="checkbox"/> SMOOTH	
FINISH: <input type="checkbox"/> STANDARD KYNAR <input type="checkbox"/> MP/SMP <input type="checkbox"/> OTHER:	



IF PAINTED PLEASE SPECIFY WHICH SIDE

TRIM DIMENSION		
PANEL THICKNESS	DIM. "A"	STRETCH OUT
2"	2 1/4"	5 1/2"
2 1/2"	2 3/4"	6"
3"	3 1/4"	6 1/2"
4"	4 1/4"	7 1/2"
5"	5 1/4"	8 1/2"
6"	6 1/4"	9 1/2"

TRIM PROFILES AND DIMENSIONS ARE BASED UPON THE PUBLISHED KINGSPAN CONSTRUCTION DETAILS. ALL DIMENSIONS REQUIRE VERIFICATION. CUSTOM PROFILES AVAILABLE UPON REQUEST. THE ABOVE TRIM COMPONENT IS BASED UPON THE FOLLOWING KINGSPAN DETAILS:

CI-WR-02-KSH

STACK FLASHING

DETAIL #: KS SERIES HORIZ

DATE: 2021



www.kingspanpanels.us
www.kingspanpanels.ca

KINGSPAN BREAK FORM TRIMS

TRIM GIRTH:

QUANTITY OF BREAKS: 3

QUANTITY REQUIRED:

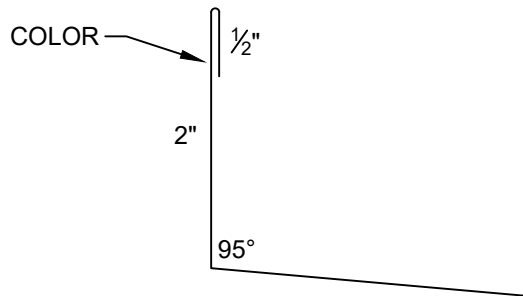
AT 10'-0" LENGTH (TO BE FIELD CUT AS REQUIRED)

GAUGE: 26GA 24GA 22GA

COLOR:

EMBOSSMENT: STUCCO EMBOSSED AZTECO EMBOSSED SMOOTH

FINISH: STANDARD KYNAR MP/SMP OTHER:



A= _____ "
 (PANEL THICKNESS - 1/4")
 (ACTUAL DIMENSION MUST BE VERIFIED)

TRIM DIMENSION		
PANEL THICKNESS	DIM. "A"	STRETCH OUT
2"	1 3/4"	4 1/4"
2 1/2"	2 1/4"	4 3/4"
3"	2 3/4"	5 1/4"
4"	3 3/4"	6 1/4"
5"	4 3/4"	7 1/4"
6"	5 3/4"	8 1/4"

TRIM PROFILES AND DIMENSIONS ARE BASED UPON THE PUBLISHED KINGSPAN CONSTRUCTION DETAILS. ALL DIMENSIONS REQUIRE VERIFICATION. CUSTOM PROFILES AVAILABLE UPON REQUEST. THE ABOVE TRIM COMPONENT IS BASED UPON THE FOLLOWING KINGSPAN DETAILS:

CI-WR-01-KSH

BASE TRIM

DETAIL #: KS SERIES HORIZ

DATE: 2021



www.kingspanpanels.us
 www.kingspanpanels.ca

KINGSPAN BREAK FORM TRIMS

TRIM GIRTH:

QUANTITY OF BREAKS: 5

QUANTITY REQUIRED:

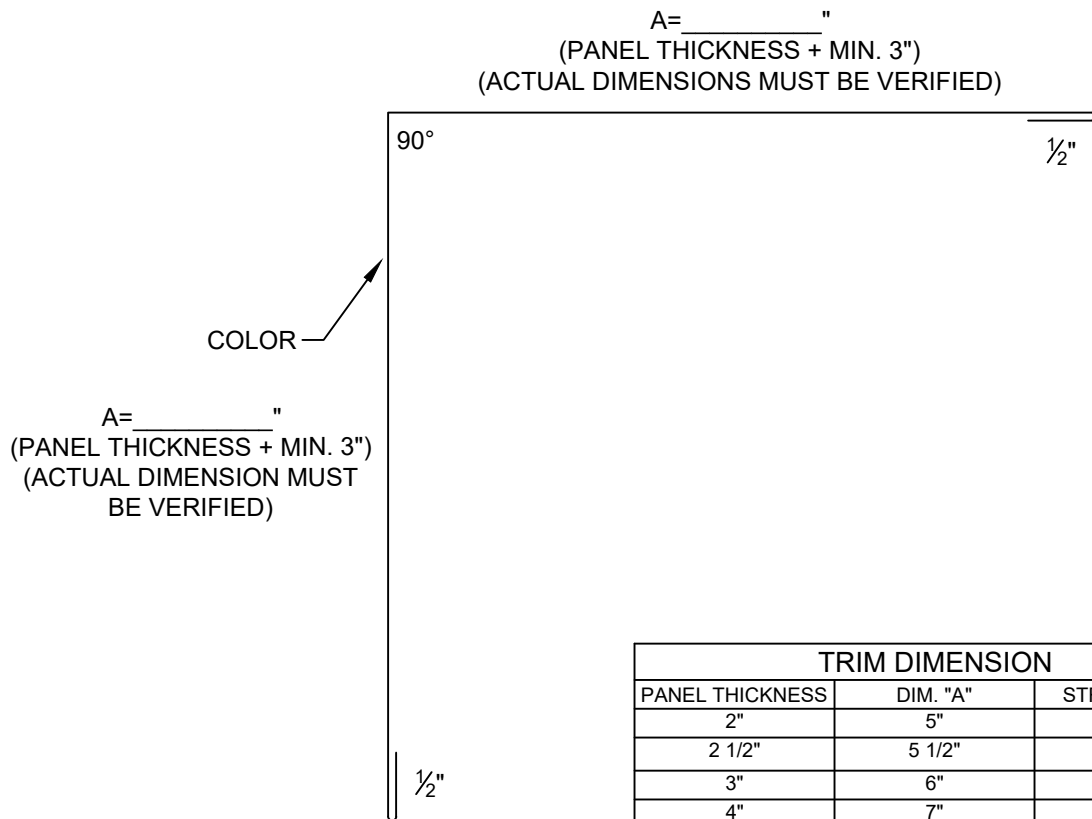
AT 10'-0" LENGTH (TO BE FIELD CUT AS REQUIRED)

GAUGE: 26GA 24GA 22GA

COLOR:

EMBOSSMENT: STUCCO EMBOSSED AZTECO EMBOSSED SMOOTH

FINISH: STANDARD KYNAR MP/SMP OTHER:



TRIM DIMENSION		
PANEL THICKNESS	DIM. "A"	STRETCH OUT
2"	5"	11"
2 1/2"	5 1/2"	12"
3"	6"	13"
4"	7"	15"
5"	8"	17"
6"	9"	19"

TRIM PROFILES AND DIMENSIONS ARE BASED UPON THE PUBLISHED KINGSPAN CONSTRUCTION DETAILS. ALL DIMENSIONS REQUIRE VERIFICATION. CUSTOM PROFILES AVAILABLE UPON REQUEST. THE ABOVE TRIM COMPONENT IS BASED UPON THE FOLLOWING KINGSPAN DETAILS:

- CI-OC-03-KSH CI-IC-03-KSH
- CI-IC-01-KSH CI-IC-04-KSH
- CI-IC-02-KSH CI-OC-CMU-03-KSH

OUTSIDE CORNER

DETAIL #: KS SERIES HORIZ

DATE: 2021

www.kingspanpanels.us
www.kingspanpanels.ca

KINGSPAN BREAK FORM TRIMS

TRIM GIRTH: 7.0"

QUANTITY OF BREAKS: 5

QUANTITY REQUIRED:

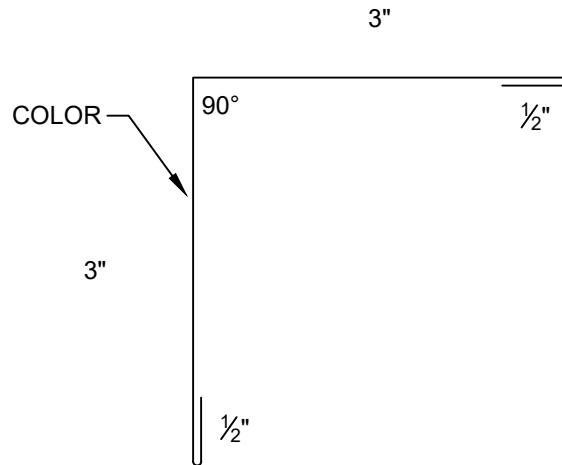
AT 10'-0" LENGTH (TO BE FIELD CUT AS REQUIRED)

GAUGE: 26GA 24GA 22GA

COLOR:

EMBOSSMENT: STUCCO EMBOSSED AZTECO EMBOSSED SMOOTH

FINISH: STANDARD KYNAR MP/SMP OTHER:



TRIM PROFILES AND DIMENSIONS ARE BASED UPON THE PUBLISHED KINGSPAN CONSTRUCTION DETAILS. ALL DIMENSIONS REQUIRE VERIFICATION. CUSTOM PROFILES AVAILABLE UPON REQUEST. THE ABOVE TRIM COMPONENT IS BASED UPON THE FOLLOWING KINGSPAN DETAILS:

CI-OC-01-KSH
CI-OC-CMU-01-KSH

OUTSIDE CORNER

DETAIL #: KS SERIES HORIZ

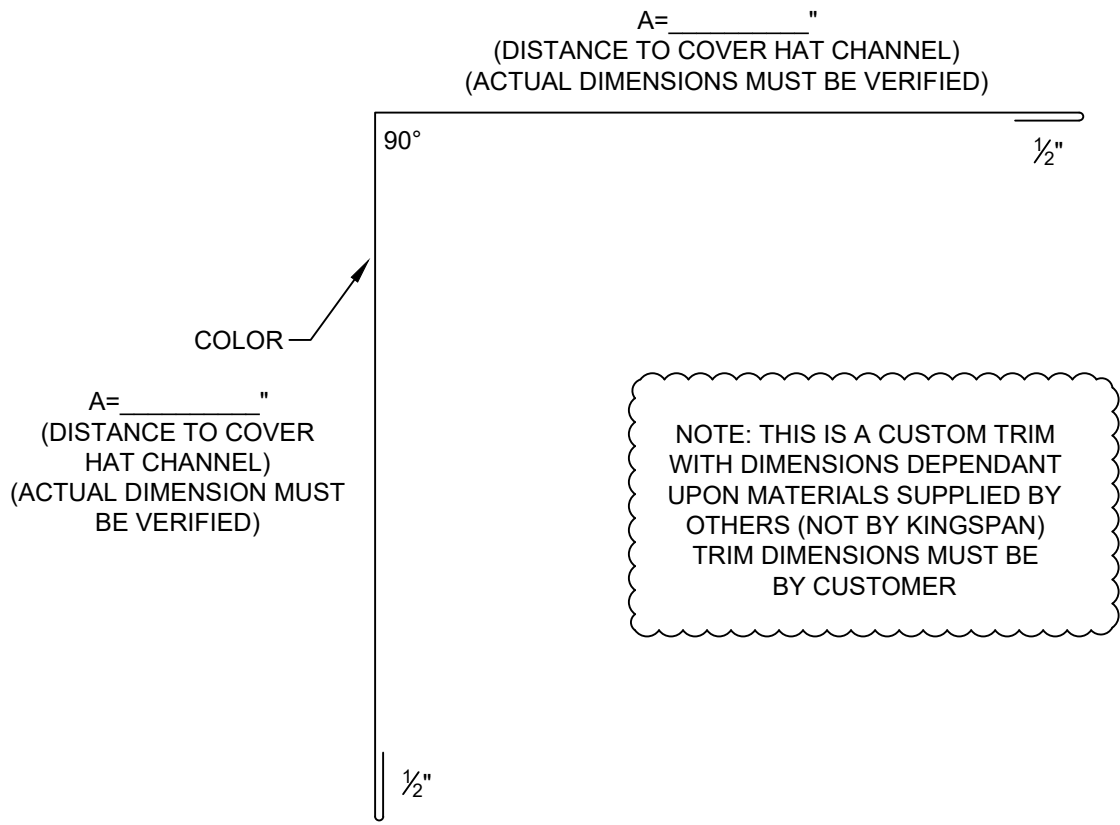
DATE: 2021


Kingspan
Insulated Panels

www.kingspanpanels.us
www.kingspanpanels.ca

KINGSPAN BREAK FORM TRIMS

TRIM GIRTH:	QUANTITY OF BREAKS: 5
QUANTITY REQUIRED:	AT 10'-0" LENGTH (TO BE FIELD CUT AS REQUIRED)
GAUGE: <input type="checkbox"/> 26GA <input type="checkbox"/> 24GA <input type="checkbox"/> 22GA	
COLOR:	
EMBOSSMENT: <input type="checkbox"/> STUCCO EMBOSSED <input type="checkbox"/> AZTECO EMBOSSED <input type="checkbox"/> SMOOTH	
FINISH: <input type="checkbox"/> STANDARD KYNAR <input type="checkbox"/> MP/SMP <input type="checkbox"/> OTHER:	



TRIM PROFILES AND DIMENSIONS ARE BASED UPON THE PUBLISHED KINGSPAN CONSTRUCTION DETAILS. ALL DIMENSIONS REQUIRE VERIFICATION. CUSTOM PROFILES AVAILABLE UPON REQUEST. THE ABOVE TRIM COMPONENT IS BASED UPON THE FOLLOWING KINGSPAN DETAILS:

- CI-IC-CMU-01-KSH CI-IC-CMU-04-KSH
- CI-IC-CMU-02-KSH
- CI-IC-CMU-03-KSH

INSIDE CORNER	DETAIL #: KS SERIES HORIZ	<p style="font-size: 10px; margin: 0;">Insulated Panels</p> <p style="font-size: 12px; margin: 0;">www.kingspanpanels.us</p> <p style="font-size: 12px; margin: 0;">www.kingspanpanels.ca</p>
	DATE: 2021	

KINGSPAN BREAK FORM TRIMS

TRIM GIRTH: 7.0"

QUANTITY OF BREAKS: 5

QUANTITY REQUIRED:

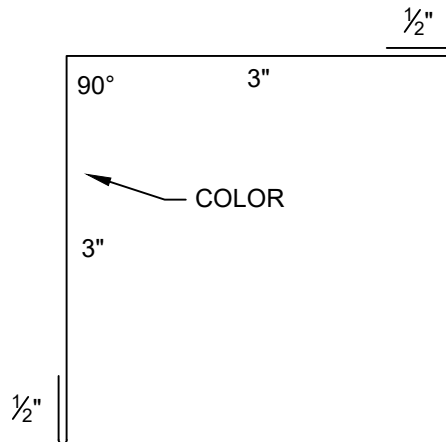
AT 10'-0" LENGTH (TO BE FIELD CUT AS REQUIRED)

GAUGE: 26GA 24GA 22GA

COLOR:

EMBOSSMENT: STUCCO EMBOSSED AZTECO EMBOSSED SMOOTH

FINISH: STANDARD KYNAR MP/SMP OTHER:



TRIM PROFILES AND DIMENSIONS ARE BASED UPON THE PUBLISHED KINGSPAN CONSTRUCTION DETAILS. ALL DIMENSIONS REQUIRE VERIFICATION. CUSTOM PROFILES AVAILABLE UPON REQUEST. THE ABOVE TRIM COMPONENT IS BASED UPON THE FOLLOWING KINGSPAN DETAILS:

- CI-OC-01-KSH CI-IC-CMU-01-KSH
- CI-OC-02-KSH
- CI-OC-03-KSH
- CI-IC-01-KSH

INSIDE CORNER

DETAIL #: KS SERIES HORIZ

DATE: 2021



www.kingspanpanels.us
www.kingspanpanels.ca

KINGSPAN BREAK FORM TRIMS

TRIM GIRTH: 7.0"

QUANTITY OF BREAKS: 5

QUANTITY REQUIRED:

AT 10'-0" LENGTH (TO BE FIELD CUT AS REQUIRED)

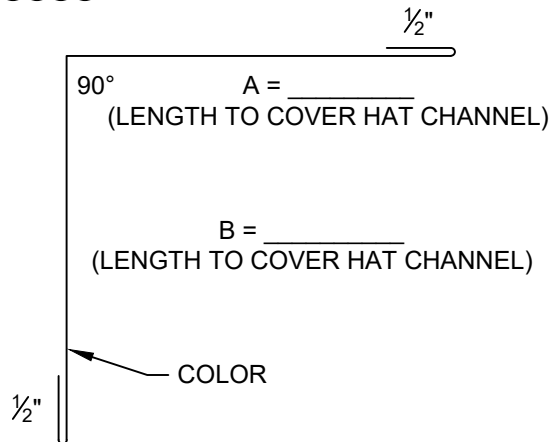
GAUGE: 26GA 24GA 22GA

COLOR:

EMBOSSMENT: STUCCO EMBOSSED AZTECO EMBOSSED SMOOTH

FINISH: STANDARD KYNAR MP/SMP OTHER:

NOTE: THIS IS A CUSTOM TRIM
WITH DIMENSIONS DEPENDANT
UPON MATERIALS SUPPLIED BY
OTHERS (NOT BY KINGSPAN)
TRIM DIMENSIONS MUST BE
BY CUSTOMER



TRIM PROFILES AND DIMENSIONS ARE BASED UPON THE PUBLISHED KINGSPAN CONSTRUCTION DETAILS. ALL DIMENSIONS REQUIRE VERIFICATION. CUSTOM PROFILES AVAILABLE UPON REQUEST. THE ABOVE TRIM COMPONENT IS BASED UPON THE FOLLOWING KINGSPAN DETAILS:

- CI-OC-CMU-01-KSH
- CI-OC-CMU-02-KSH
- CI-OC-CMU-03-KSH

INSIDE CORNER

DETAIL #: KS SERIES HORIZ

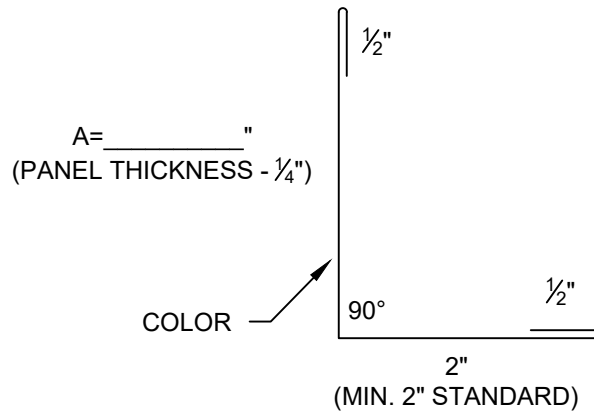
DATE: 2021



www.kingspanpanels.us
www.kingspanpanels.ca

KINGSPAN BREAK FORM TRIMS

TRIM GIRTH:	QUANTITY OF BREAKS: 5
QUANTITY REQUIRED:	AT 10'-0" LENGTH (TO BE FIELD CUT AS REQUIRED)
GAUGE: <input type="checkbox"/> 26GA <input type="checkbox"/> 24GA <input type="checkbox"/> 22GA	
COLOR:	
EMBOSSMENT: <input type="checkbox"/> STUCCO EMBOSSED <input type="checkbox"/> AZTECO EMBOSSED <input type="checkbox"/> SMOOTH	
FINISH: <input type="checkbox"/> STANDARD KYNAR <input type="checkbox"/> MP/SMP <input type="checkbox"/> OTHER:	



TRIM DIMENSION		
PANEL THICKNESS	DIM. "A"	STRETCH OUT
2"	1 3/4"	4 3/4"
2 1/2"	2 1/4"	5 1/4"
3"	2 3/4"	5 3/4"
4"	3 3/4"	6 3/4"
5"	4 3/4"	7 3/4"
6"	5 3/4"	8 3/4"

TRIM PROFILES AND DIMENSIONS ARE BASED UPON THE PUBLISHED KINGSPAN CONSTRUCTION DETAILS. ALL DIMENSIONS REQUIRE VERIFICATION. CUSTOM PROFILES AVAILABLE UPON REQUEST. THE ABOVE TRIM COMPONENT IS BASED UPON THE FOLLOWING KINGSPAN DETAILS:

- | | |
|------------------|--------------|
| CI-IC-03-KSH | CI-FO-11-KSH |
| CI-IC-CMU-03-KSH | CI-FO-13-KSH |
| CI-FO-04-KSH | CI-WR-02-KSH |
| CI-FO-07-KSH | |

CAP TRIM

DETAIL #: KS SERIES HORIZ

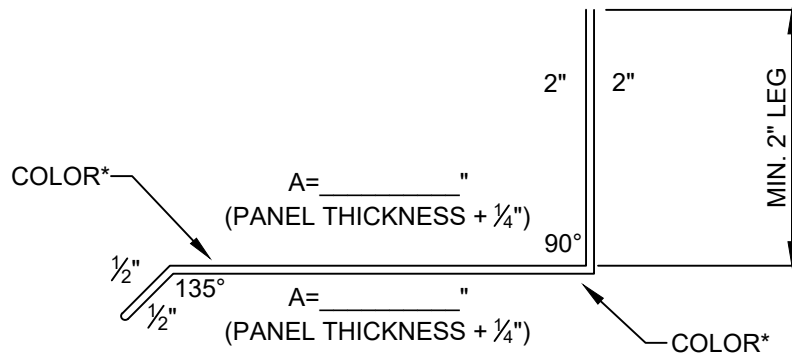
DATE: 2021



www.kingspanpanels.us
www.kingspanpanels.ca

KINGSPAN BREAK FORM TRIMS

TRIM GIRTH:	QUANTITY OF BREAKS: 6
QUANTITY REQUIRED:	AT 10'-0" LENGTH (TO BE FIELD CUT AS REQUIRED)
GAUGE: <input type="checkbox"/> 26GA <input type="checkbox"/> 24GA <input type="checkbox"/> 22GA	
COLOR:	
EMBOSSMENT: <input type="checkbox"/> STUCCO EMBOSSED <input type="checkbox"/> AZTECO EMBOSSED <input type="checkbox"/> SMOOTH	
FINISH: <input type="checkbox"/> STANDARD KYNAR <input type="checkbox"/> MP/SMP <input type="checkbox"/> OTHER:	



*TRIM IS DOUBLED OVER FOR COLOR BOTH SIDES

TRIM DIMENSION		
PANEL THICKNESS	DIM. "A"	STRETCH OUT
2"	2 1/4"	9 1/2"
2 1/2"	2 3/4"	10 1/2"
3"	3 1/4"	11 1/2"
4"	4 1/4"	13 1/2"
5"	5 1/4"	15 1/2"
6"	6 1/4"	17 1/2"

TRIM PROFILES AND DIMENSIONS ARE BASED UPON THE PUBLISHED KINGSPAN CONSTRUCTION DETAILS. ALL DIMENSIONS REQUIRE VERIFICATION. CUSTOM PROFILES AVAILABLE UPON REQUEST. THE ABOVE TRIM COMPONENT IS BASED UPON THE FOLLOWING KINGSPAN DETAILS:

CI-BS-05-KSH
 CI-FO-01-KSH
 CI-FO-05-KSH

DRIP FLASHING

DETAIL #: KS SERIES HORIZ

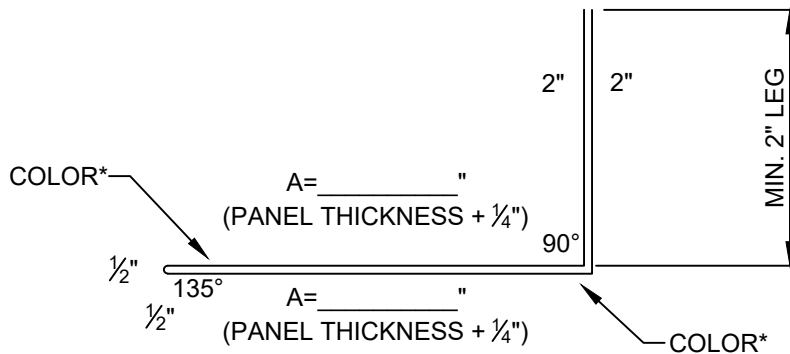
DATE: 2021



www.kingspanpanels.us
 www.kingspanpanels.ca

KINGSPAN BREAK FORM TRIMS

TRIM GIRTH:	QUANTITY OF BREAKS: 6
QUANTITY REQUIRED:	AT 10'-0" LENGTH (TO BE FIELD CUT AS REQUIRED)
GAUGE: <input type="checkbox"/> 26GA <input type="checkbox"/> 24GA <input type="checkbox"/> 22GA	
COLOR:	
EMBOSSMENT: <input type="checkbox"/> STUCCO EMBOSSED <input type="checkbox"/> AZTECO EMBOSSED <input type="checkbox"/> SMOOTH	
FINISH: <input type="checkbox"/> STANDARD KYNAR <input type="checkbox"/> MP/SMP <input type="checkbox"/> OTHER:	



*TRIM IS DOUBLED OVER FOR COLOR BOTH SIDES

TRIM DIMENSION		
PANEL THICKNESS	DIM. "A"	STRETCH OUT
2"	2 1/4"	8 1/2"
2 1/2"	2 3/4"	9 1/2"
3"	3 1/4"	10 1/2"
4"	4 1/4"	12 1/2"
5"	5 1/4"	14 1/2"
6"	6 1/4"	16 1/2"

TRIM PROFILES AND DIMENSIONS ARE BASED UPON THE PUBLISHED KINGSPAN CONSTRUCTION DETAILS. ALL DIMENSIONS REQUIRE VERIFICATION. CUSTOM PROFILES AVAILABLE UPON REQUEST. THE ABOVE TRIM COMPONENT IS BASED UPON THE FOLLOWING KINGSPAN DETAILS:

CI-FO-02-KSH

DRIP FLASHING

DETAIL #: KS SERIES HORIZ

DATE: 2021



www.kingspanpanels.us
www.kingspanpanels.ca

KINGSPAN BREAK FORM TRIMS

TRIM GIRTH:

QUANTITY OF BREAKS: 4

QUANTITY REQUIRED:

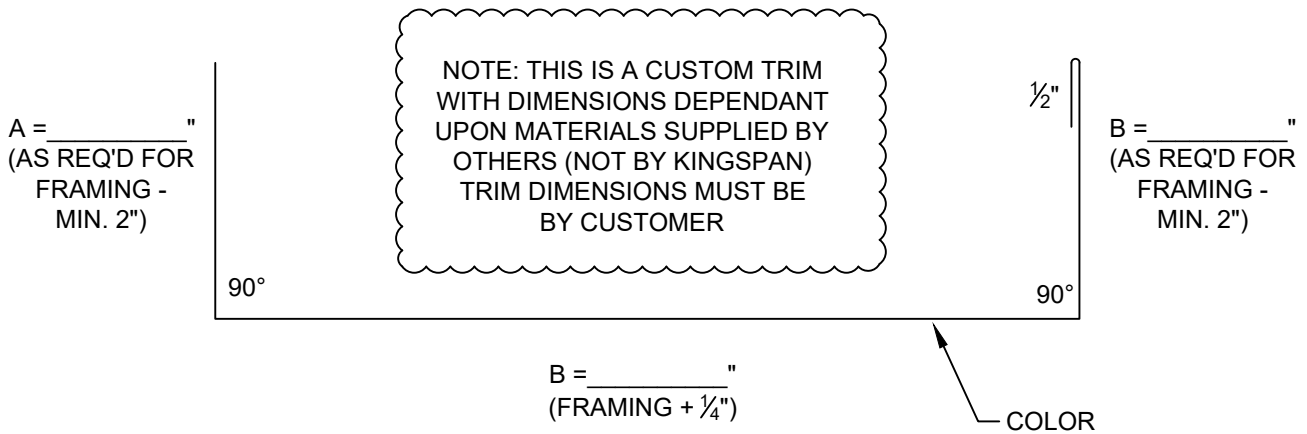
AT 10'-0" LENGTH (TO BE FIELD CUT AS REQUIRED)

GAUGE: 26GA 24GA 22GA

COLOR:

EMBOSSMENT: STUCCO EMBOSSED AZTECO EMBOSSED SMOOTH

FINISH: STANDARD KYNAR MP/SMP OTHER:



TRIM PROFILES AND DIMENSIONS ARE BASED UPON THE PUBLISHED KINGSPAN CONSTRUCTION DETAILS. ALL DIMENSIONS REQUIRE VERIFICATION. CUSTOM PROFILES AVAILABLE UPON REQUEST. THE ABOVE TRIM COMPONENT IS BASED UPON THE FOLLOWING KINGSPAN DETAILS:

- CI-FO-04-KSH CI-FO-12-KSH
- CI-FO-05-KSH
- CI-FO-06-KSH
- CI-FO-11-KSH

HEADER / JAMB TRIM

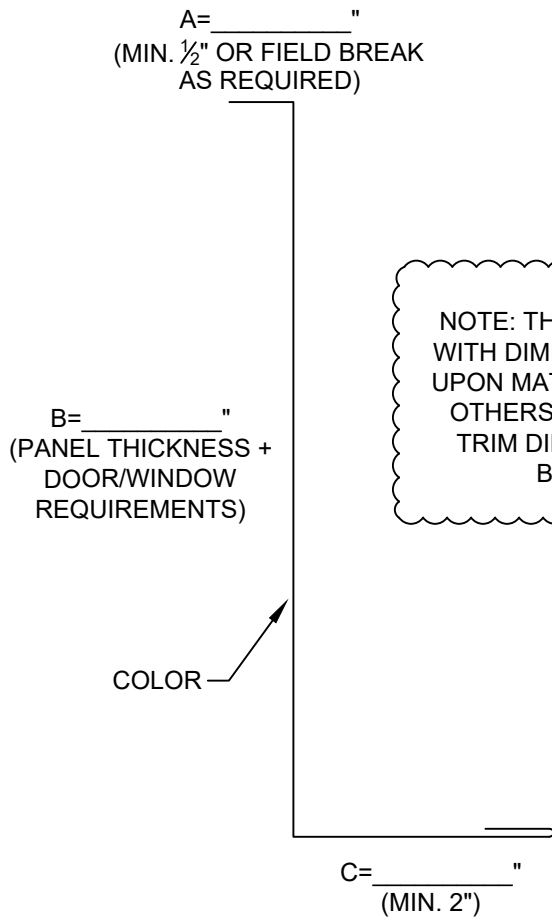
DETAIL #: KS SERIES HORIZ

DATE: 2021



KINGSPAN BREAK FORM TRIMS

TRIM GIRTH:	QUANTITY OF BREAKS: 4
QUANTITY REQUIRED:	AT 10'-0" LENGTH (TO BE FIELD CUT AS REQUIRED)
GAUGE: <input type="checkbox"/> 26GA <input type="checkbox"/> 24GA <input type="checkbox"/> 22GA	
COLOR:	
EMBOSSMENT: <input type="checkbox"/> STUCCO EMBOSSED <input type="checkbox"/> AZTECO EMBOSSED <input type="checkbox"/> SMOOTH	
FINISH: <input type="checkbox"/> STANDARD KYNAR <input type="checkbox"/> MP/SMP <input type="checkbox"/> OTHER:	



NOTE: THIS IS A CUSTOM TRIM WITH DIMENSIONS DEPENDANT UPON MATERIALS SUPPLIED BY OTHERS (NOT BY KINGSPAN) TRIM DIMENSIONS MUST BE BY CUSTOMER

TRIM PROFILES AND DIMENSIONS ARE BASED UPON THE PUBLISHED KINGSPAN CONSTRUCTION DETAILS. ALL DIMENSIONS REQUIRE VERIFICATION. CUSTOM PROFILES AVAILABLE UPON REQUEST. THE ABOVE TRIM COMPONENT IS BASED UPON THE FOLLOWING KINGSPAN DETAILS:

- CI-FO-08-KSH
- CI-FO-09-KSH
- CI-FO-15-KSH

JAMB TRIM

DETAIL #: KS SERIES HORIZ
DATE: 2021

KINGSPAN BREAK FORM TRIMS

TRIM GIRTH:

QUANTITY OF BREAKS: 5

QUANTITY REQUIRED:

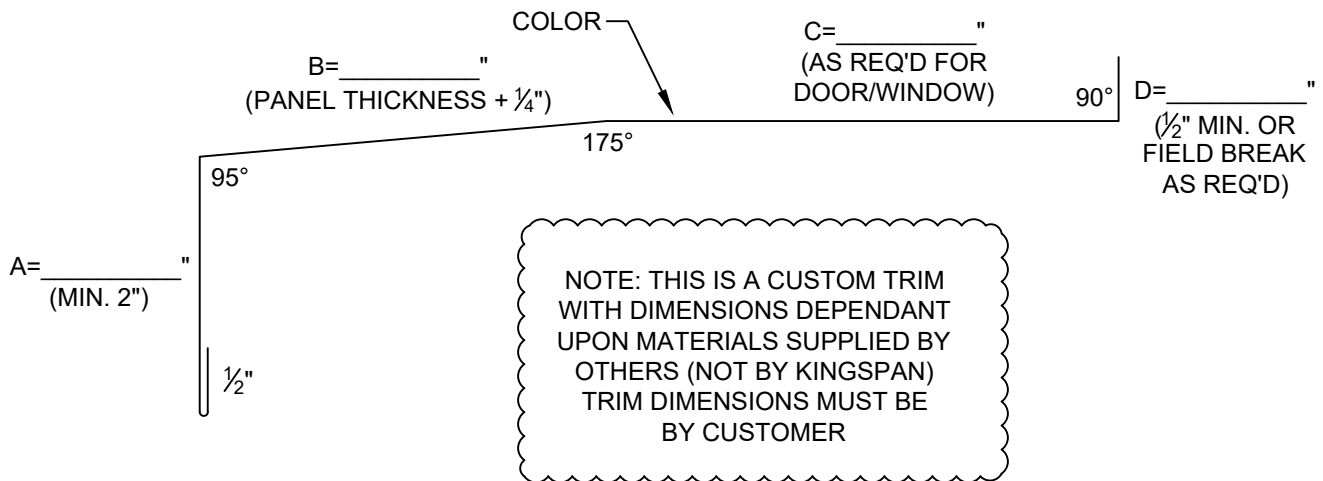
AT 10'-0" LENGTH (TO BE FIELD CUT AS REQUIRED)

GAUGE: 26GA 24GA 22GA

COLOR:

EMBOSSMENT: STUCCO EMBOSSED AZTECO EMBOSSED SMOOTH

FINISH: STANDARD KYNAR MP/SMP OTHER:



TRIM PROFILES AND DIMENSIONS ARE BASED UPON THE PUBLISHED KINGSPAN CONSTRUCTION DETAILS. ALL DIMENSIONS REQUIRE VERIFICATION. CUSTOM PROFILES AVAILABLE UPON REQUEST. THE ABOVE TRIM COMPONENT IS BASED UPON THE FOLLOWING KINGSPAN DETAILS:

CI-FO-14-KSH

SILL TRIM

DETAIL #: KS SERIES HORIZ

DATE: 2021



www.kingspanpanels.us
www.kingspanpanels.ca

KINGSPAN BREAK FORM TRIMS

TRIM GIRTH:

QUANTITY OF BREAKS: 8

QUANTITY REQUIRED:

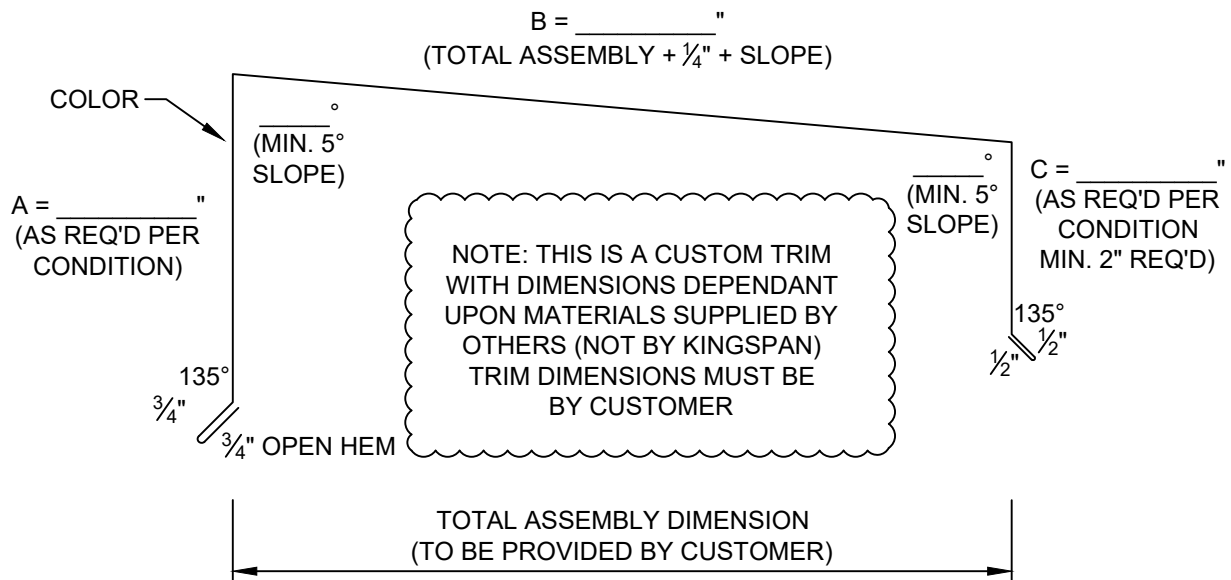
AT 10'-0" LENGTH (TO BE FIELD CUT AS REQUIRED)

GAUGE: 26GA 24GA 22GA

COLOR:

EMBOSSMENT: STUCCO EMBOSSED AZTECO EMBOSSED SMOOTH

FINISH: STANDARD KYNAR MP/SMP OTHER:



TRIM PROFILES AND DIMENSIONS ARE BASED UPON THE PUBLISHED KINGSPAN CONSTRUCTION DETAILS. ALL DIMENSIONS REQUIRE VERIFICATION. CUSTOM PROFILES AVAILABLE UPON REQUEST. THE ABOVE TRIM COMPONENT IS BASED UPON THE FOLLOWING KINGSPAN DETAILS:

CI-PR-01-KSH
CI-PR-03-KSH

PARAPET CAP

DETAIL #: KS SERIES HORIZ

DATE: 2021



www.kingspanpanels.us
www.kingspanpanels.ca

KINGSPAN BREAK FORM TRIMS

TRIM GIRTH:

QUANTITY OF BREAKS: 2

QUANTITY REQUIRED:

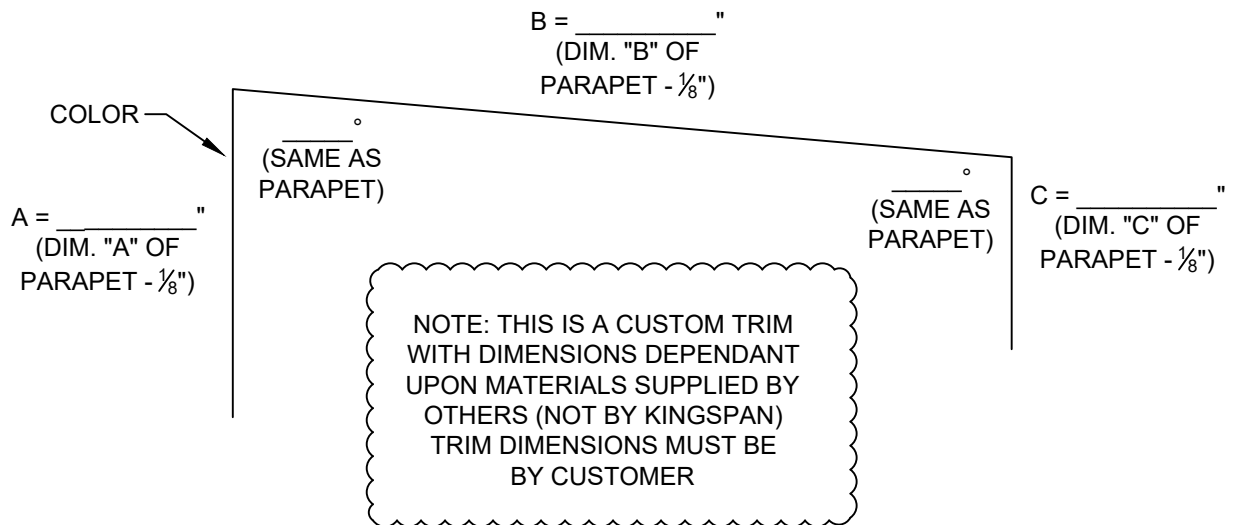
AT 0'-8" LENGTH

GAUGE: 26GA 24GA 22GA

COLOR:

EMBOSSMENT: STUCCO EMBOSSED AZTECO EMBOSSED SMOOTH

FINISH: STANDARD KYNAR MP/SMP OTHER:



TRIM PROFILES AND DIMENSIONS ARE BASED UPON THE PUBLISHED KINGSPAN CONSTRUCTION DETAILS. ALL DIMENSIONS REQUIRE VERIFICATION. CUSTOM PROFILES AVAILABLE UPON REQUEST. THE ABOVE TRIM COMPONENT IS BASED UPON THE FOLLOWING KINGSPAN DETAILS:

CI-PR-01-KSH (PARAPET TRIM LAP STRIP)

PARAPET LAP STRIP

DETAIL #: KS SERIES HORIZ

DATE: 2021



www.kingspanpanels.us
www.kingspanpanels.ca

KINGSPAN BREAK FORM TRIMS

TRIM GIRTH:

QUANTITY OF BREAKS: 1

QUANTITY REQUIRED:

AT 10'-0" LENGTH (TO BE FIELD CUT AS REQUIRED)

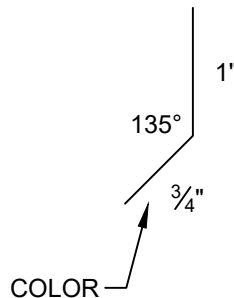
GAUGE: 26GA 24GA 22GA

COLOR:

EMBOSSMENT: STUCCO EMBOSSED AZTECO EMBOSSED SMOOTH

FINISH: STANDARD KYNAR MP/SMP OTHER:

NOTE: CLEAT GAGE SHOULD BE
REVIEWED BY KINGSPAN
ENGINEERING BASED ON
PARAPET TRIM DESIGN



TRIM PROFILES AND DIMENSIONS ARE BASED UPON THE PUBLISHED KINGSPAN CONSTRUCTION DETAILS. ALL DIMENSIONS REQUIRE VERIFICATION. CUSTOM PROFILES AVAILABLE UPON REQUEST. THE ABOVE TRIM COMPONENT IS BASED UPON THE FOLLOWING KINGSPAN DETAILS:

CI-PR-01-KSH

PARAPET CLEAT

DETAIL #: KS SERIES HORIZ

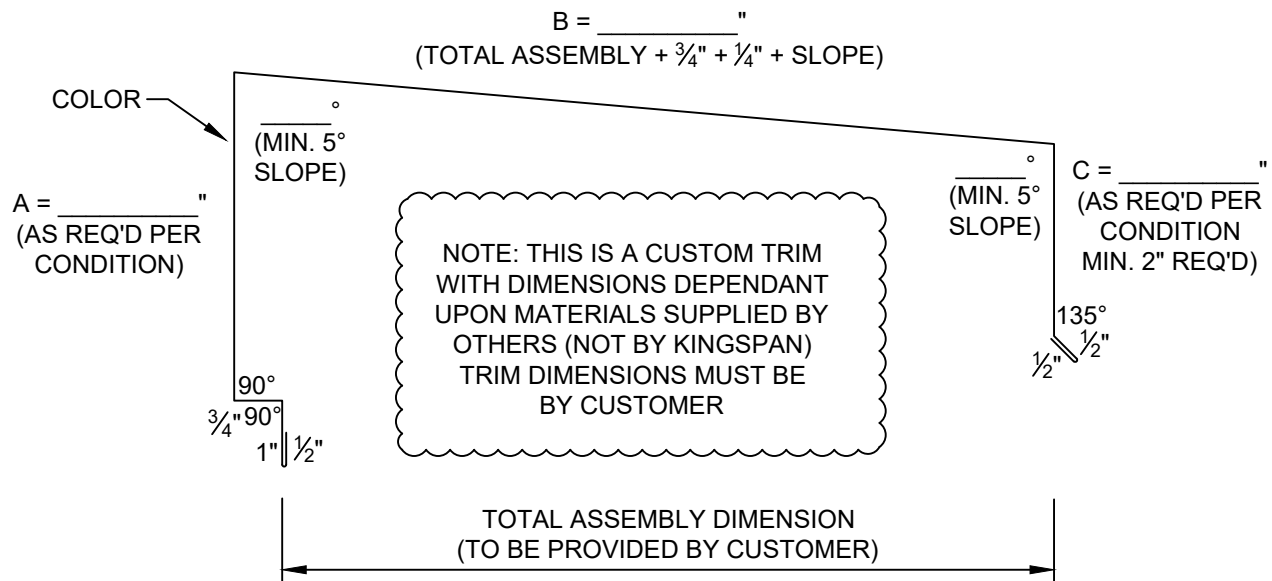
DATE: 2021


Kingspan
Insulated Panels

www.kingspanpanels.us
www.kingspanpanels.ca

KINGSPAN BREAK FORM TRIMS

TRIM GIRTH:	QUANTITY OF BREAKS: 9
QUANTITY REQUIRED:	AT 10'-0" LENGTH (TO BE FIELD CUT AS REQUIRED)
GAUGE: <input type="checkbox"/> 26GA <input type="checkbox"/> 24GA <input type="checkbox"/> 22GA	
COLOR:	
EMBOSSMENT: <input type="checkbox"/> STUCCO EMBOSSED <input type="checkbox"/> AZTECO EMBOSSED <input type="checkbox"/> SMOOTH	
FINISH: <input type="checkbox"/> STANDARD KYNAR <input type="checkbox"/> MP/SMP <input type="checkbox"/> OTHER:	



TRIM PROFILES AND DIMENSIONS ARE BASED UPON THE PUBLISHED KINGSPAN CONSTRUCTION DETAILS. ALL DIMENSIONS REQUIRE VERIFICATION. CUSTOM PROFILES AVAILABLE UPON REQUEST. THE ABOVE TRIM COMPONENT IS BASED UPON THE FOLLOWING KINGSPAN DETAILS:

CI-PR-02-KSH
CI-PR-04-KSH

PARAPET CAP

DETAIL #: KS SERIES HORIZ

DATE: 2021



www.kingspanpanels.us
www.kingspanpanels.ca

KINGSPAN BREAK FORM TRIMS

TRIM GIRTH:

QUANTITY OF BREAKS: 3

QUANTITY REQUIRED:

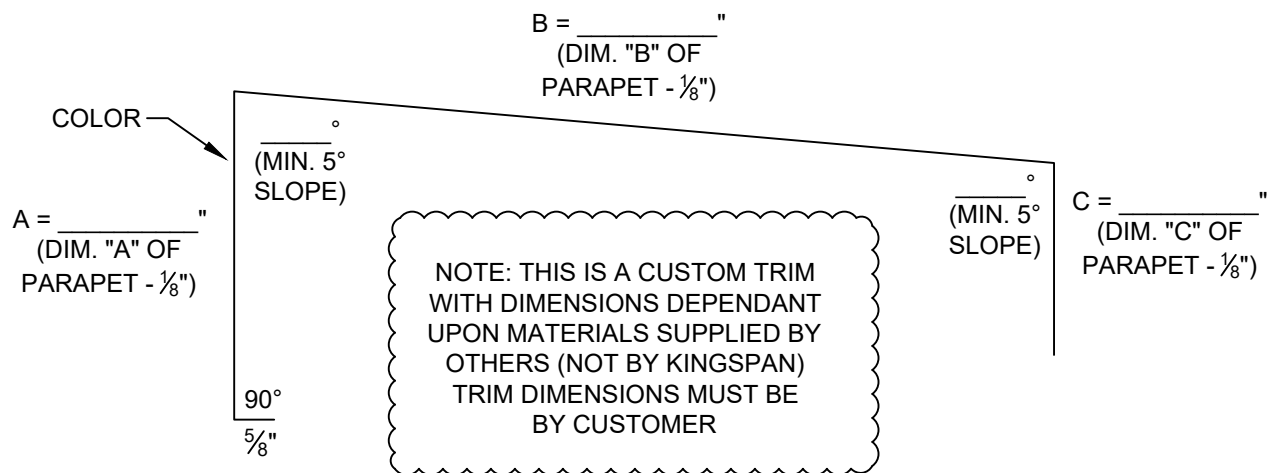
AT 0'-8" LENGTH

GAUGE: 26GA 24GA 22GA

COLOR:

EMBOSSMENT: STUCCO EMBOSSED AZTECO EMBOSSED SMOOTH

FINISH: STANDARD KYNAR MP/SMP OTHER:



TRIM PROFILES AND DIMENSIONS ARE BASED UPON THE PUBLISHED KINGSPAN CONSTRUCTION DETAILS. ALL DIMENSIONS REQUIRE VERIFICATION. CUSTOM PROFILES AVAILABLE UPON REQUEST. THE ABOVE TRIM COMPONENT IS BASED UPON THE FOLLOWING KINGSPAN DETAILS:

CI-PR-02-KSV (PROFILED PARAPET TRIM LAP STRIP)

PARAPET LAP STRIP

DETAIL #: KS SERIES HORIZ

DATE: 2021



www.kingspanpanels.us
www.kingspanpanels.ca

KINGSPAN BREAK FORM TRIMS

TRIM GIRTH:

QUANTITY OF BREAKS: 2 hems + 4 breaks

QUANTITY REQUIRED:

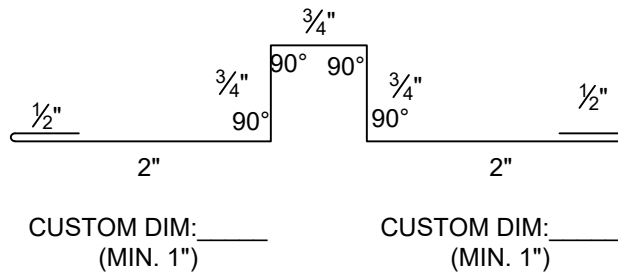
AT 10'-3" LENGTH (TO BE FIELD CUT AS REQUIRED)

GAUGE: 26GA 24GA 22GA

COLOR:

EMBOSSMENT: STUCCO EMBOSSED AZTECO EMBOSSED SMOOTH

FINISH: STANDARD KYNAR MP/SMP OTHER:



TRIM PROFILES AND DIMENSIONS ARE BASED UPON THE PUBLISHED KINGSPAN CONSTRUCTION DETAILS. ALL DIMENSIONS REQUIRE VERIFICATION. CUSTOM PROFILES AVAILABLE UPON REQUEST. THE ABOVE TRIM COMPONENT IS BASED UPON THE FOLLOWING KINGSPAN DETAILS:

CI-VJ-01A-KSH

HAT TRIM

DETAIL #: KS SERIES HORIZ

DATE: 2021



www.kingspanpanels.us
www.kingspanpanels.ca

KINGSPAN BREAK FORM TRIMS

TRIM GIRTH:

QUANTITY OF BREAKS: 2 hems + 4 breaks

QUANTITY REQUIRED:

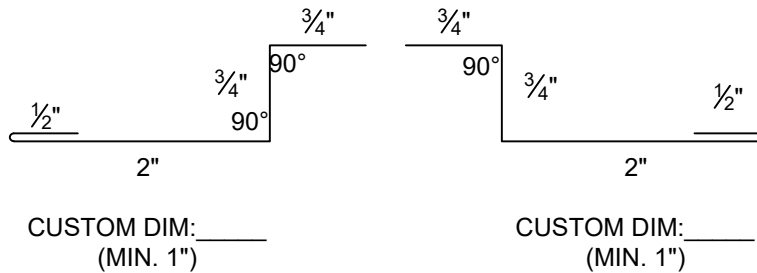
AT 10'-3" LENGTH (TO BE FIELD CUT AS REQUIRED)

GAUGE: 26GA 24GA 22GA

COLOR:

EMBOSSMENT: STUCCO EMBOSSED AZTECO EMBOSSED SMOOTH

FINISH: STANDARD KYNAR MP/SMP OTHER:



TRIM PROFILES AND DIMENSIONS ARE BASED UPON THE PUBLISHED KINGSPAN CONSTRUCTION DETAILS. ALL DIMENSIONS REQUIRE VERIFICATION. CUSTOM PROFILES AVAILABLE UPON REQUEST. THE ABOVE TRIM COMPONENT IS BASED UPON THE FOLLOWING KINGSPAN DETAILS:

CI-VJ-01B-KSH (2-PIECE)

HAT TRIM 2-PIECE

DETAIL #: KS SERIES HORIZ

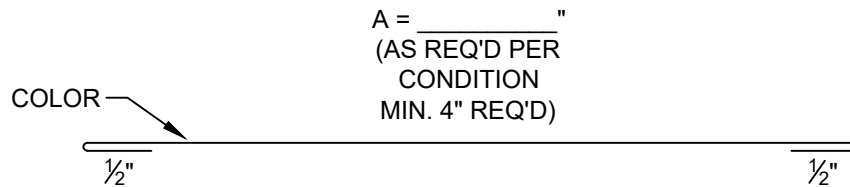
DATE: 2021



www.kingspanpanels.us
www.kingspanpanels.ca

KINGSPAN BREAK FORM TRIMS

TRIM GIRTH:	QUANTITY OF BREAKS: 4
QUANTITY REQUIRED:	AT 10'-0" LENGTH (TO BE FIELD CUT AS REQUIRED)
GAUGE: <input type="checkbox"/> 26GA <input type="checkbox"/> 24GA <input type="checkbox"/> 22GA	
COLOR:	
EMBOSSMENT: <input type="checkbox"/> STUCCO EMBOSSED <input type="checkbox"/> AZTECO EMBOSSED <input type="checkbox"/> SMOOTH	
FINISH: <input type="checkbox"/> STANDARD KYNAR <input type="checkbox"/> MP/SMP <input type="checkbox"/> OTHER:	



TRIM PROFILES AND DIMENSIONS ARE BASED UPON THE PUBLISHED KINGSPAN CONSTRUCTION DETAILS. ALL DIMENSIONS REQUIRE VERIFICATION. CUSTOM PROFILES AVAILABLE UPON REQUEST. THE ABOVE TRIM COMPONENT IS BASED UPON THE FOLLOWING KINGSPAN DETAILS:

- | | | | |
|---------------|--------------|--------------|--------------|
| CI-VJ-01A-KSH | CI-VJ-04-KSH | CI-VJ-09-KSH | CI-VJ-14-KSH |
| CI-VJ-01B-KSH | CI-VJ-05-KSH | CI-VJ-10-KSH | CI-VJ-15-KSH |
| CI-VJ-02-KSH | CI-VJ-06-KSH | CI-VJ-11-KSH | |
| CI-VJ-03-KSH | CI-VJ-08-KSH | CI-VJ-13-KSH | |

MENDING PLATE

DETAIL #: KS SERIES HORIZ

DATE: 2021



www.kingspanpanels.us
www.kingspanpanels.ca