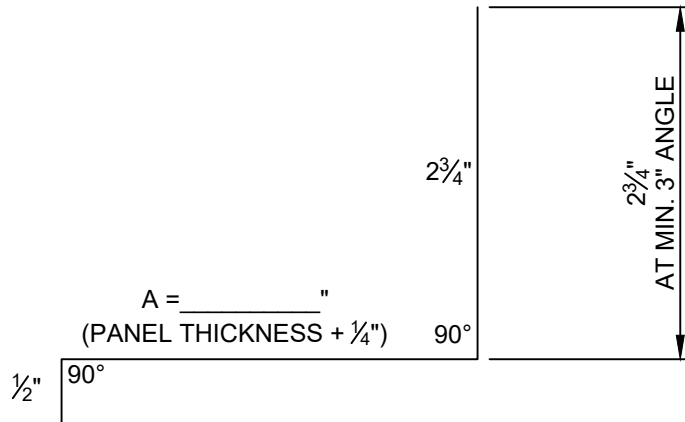


# KINGSPAN BREAK FORM TRIMS

TRIM GIRTH:	QUANTITY OF BREAKS: 2
QUANTITY REQUIRED:	AT 10'-0" LENGTH (TO BE FIELD CUT AS REQUIRED)
GAUGE: <input type="checkbox"/> 26GA <input type="checkbox"/> 24GA <input type="checkbox"/> 22GA	
COLOR:	
EMBOSSMENT: <input type="checkbox"/> STUCCO EMBOSSED <input type="checkbox"/> AZTECO EMBOSSED <input type="checkbox"/> SMOOTH	
FINISH: <input type="checkbox"/> STANDARD KYNAR <input type="checkbox"/> MP/SMP <input type="checkbox"/> OTHER:	



\*\*IF PAINTED PLEASE SPECIFY WHICH SIDE\*\*

TRIM DIMENSION		
PANEL THICKNESS	DIM. "A"	STRETCH OUT
2"	2 1/4"	5 1/2"
2 1/2"	2 3/4"	6"
3"	3 1/4"	6 1/2"
4"	4 1/4"	7 1/2"
5"	5 1/4"	8 1/2"
6"	6 1/4"	9 1/2"

TRIM PROFILES AND DIMENSIONS ARE BASED UPON THE PUBLISHED KINGSPAN CONSTRUCTION DETAILS. ALL DIMENSIONS REQUIRE VERIFICATION. CUSTOM PROFILES AVAILABLE UPON REQUEST. THE ABOVE TRIM COMPONENT IS BASED UPON THE FOLLOWING KINGSPAN DETAILS:

CI-BS-02-KSV    CI-TL-01-KSV  
 CI-SJ-01-KSV  
 CI-WR-02-KSV

**BASE FLASHING/  
STACK FLASHING**

DETAIL #: KS SERIES VERT

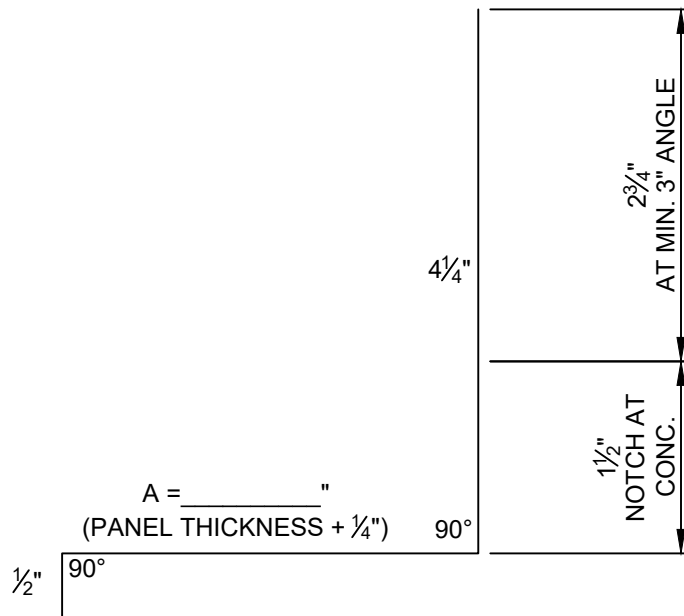
DATE: 2021



www.kingspanpanels.us  
www.kingspanpanels.ca

# KINGSPAN BREAK FORM TRIMS

TRIM GIRTH:	QUANTITY OF BREAKS: 2
QUANTITY REQUIRED:	AT 10'-0" LENGTH (TO BE FIELD CUT AS REQUIRED)
GAUGE: <input type="checkbox"/> 26GA <input type="checkbox"/> 24GA <input type="checkbox"/> 22GA	
COLOR:	
EMBOSSMENT: <input type="checkbox"/> STUCCO EMBOSSED <input type="checkbox"/> AZTECO EMBOSSED <input type="checkbox"/> SMOOTH	
FINISH: <input type="checkbox"/> STANDARD KYNAR <input type="checkbox"/> MP/SMP <input type="checkbox"/> OTHER:	



\*\*IF PAINTED PLEASE SPECIFY WHICH SIDE\*\*

TRIM DIMENSION		
PANEL THICKNESS	DIM. "A"	STRETCH OUT
2"	2 1/4"	7"
2 1/2"	2 3/4"	7 1/2"
3"	3 1/4"	8"
4"	4 1/4"	9"
5"	5 1/4"	10"
6"	6 1/4"	11"

TRIM PROFILES AND DIMENSIONS ARE BASED UPON THE PUBLISHED KINGSPAN CONSTRUCTION DETAILS. ALL DIMENSIONS REQUIRE VERIFICATION. CUSTOM PROFILES AVAILABLE UPON REQUEST. THE ABOVE TRIM COMPONENT IS BASED UPON THE FOLLOWING KINGSPAN DETAILS:

CI-BS-03-KSV

## BASE FLASHING

DETAIL #: KS SERIES VERT

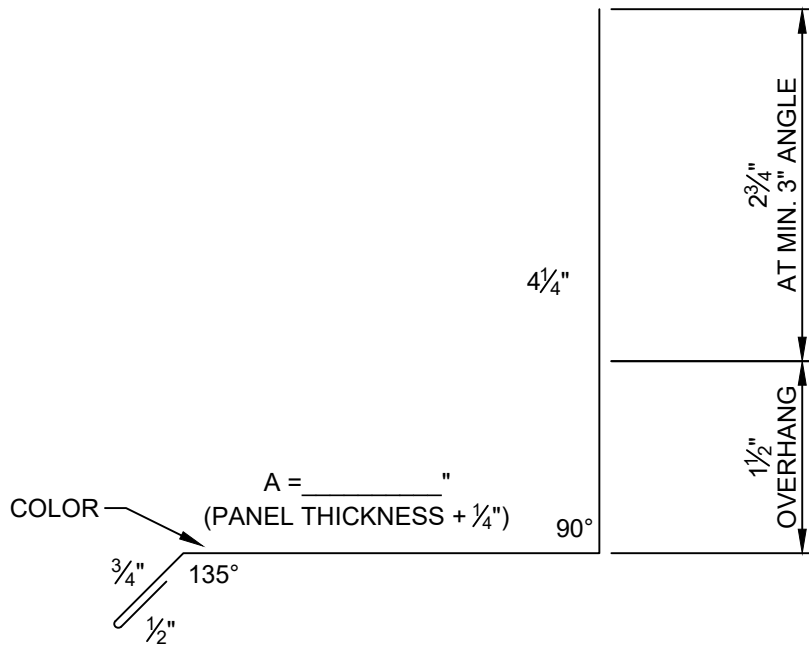
DATE: 2021



www.kingspanpanels.us  
www.kingspanpanels.ca

# KINGSPAN BREAK FORM TRIMS

TRIM GIRTH:	QUANTITY OF BREAKS: 4
QUANTITY REQUIRED:	AT 10'-0" LENGTH (TO BE FIELD CUT AS REQUIRED)
GAUGE:	<input type="checkbox"/> 26GA <input type="checkbox"/> 24GA <input type="checkbox"/> 22GA
COLOR:	
EMBOSSMENT:	<input type="checkbox"/> STUCCO EMBOSSED <input type="checkbox"/> AZTECO EMBOSSED <input type="checkbox"/> SMOOTH
FINISH:	<input type="checkbox"/> STANDARD KYNAR <input type="checkbox"/> MP/SMP <input type="checkbox"/> OTHER:



TRIM DIMENSION		
PANEL THICKNESS	DIM. "A"	STRETCH OUT
2"	2 1/4"	7 3/4"
2 1/2"	2 3/4"	8 1/4"
3"	3 1/4"	8 3/4"
4"	4 1/4"	9 3/4"
5"	5 1/4"	10 3/4"
6"	6 1/4"	11 3/4"

TRIM PROFILES AND DIMENSIONS ARE BASED UPON THE PUBLISHED KINGSPAN CONSTRUCTION DETAILS. ALL DIMENSIONS REQUIRE VERIFICATION. CUSTOM PROFILES AVAILABLE UPON REQUEST. THE ABOVE TRIM COMPONENT IS BASED UPON THE FOLLOWING KINGSPAN DETAILS:

CI-BS-05-KSV

BASE FLASHING

DETAIL #: KS SERIES VERT

DATE: 2021



www.kingspanpanels.us  
www.kingspanpanels.ca

# KINGSPAN BREAK FORM TRIMS

TRIM GIRTH: 4.50"

QUANTITY OF BREAKS: 6

QUANTITY REQUIRED:

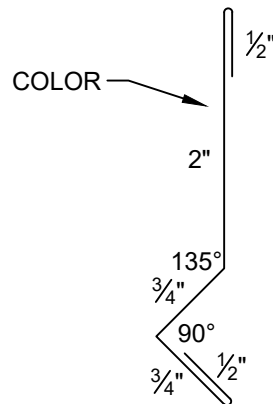
AT 10'-0" LENGTH (TO BE FIELD CUT AS REQUIRED)

GAUGE:  26GA  24GA  22GA

COLOR:

EMBOSSMENT:  STUCCO EMBOSSED  AZTECO EMBOSSED  SMOOTH

FINISH:  STANDARD KYNAR  MP/SMP  OTHER:



TRIM PROFILES AND DIMENSIONS ARE BASED UPON THE PUBLISHED KINGSPAN CONSTRUCTION DETAILS. ALL DIMENSIONS REQUIRE VERIFICATION. CUSTOM PROFILES AVAILABLE UPON REQUEST. THE ABOVE TRIM COMPONENT IS BASED UPON THE FOLLOWING KINGSPAN DETAILS:

CI-BS-01-KSV  
CI-BS-03-KSV  
CI-SJ-01-KSV

BASE / STACK JOINT  
TRIM

DETAIL #: KS SERIES VERT

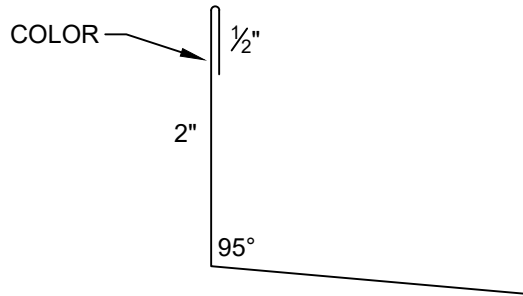
DATE: 2021

  
**Kingspan**  
Insulated Panels

[www.kingspanpanels.us](http://www.kingspanpanels.us)  
[www.kingspanpanels.ca](http://www.kingspanpanels.ca)

# KINGSPAN BREAK FORM TRIMS

TRIM GIRTH:	QUANTITY OF BREAKS: 3
QUANTITY REQUIRED:	AT 10'-0" LENGTH (TO BE FIELD CUT AS REQUIRED)
GAUGE: <input type="checkbox"/> 26GA <input type="checkbox"/> 24GA <input type="checkbox"/> 22GA	
COLOR:	
EMBOSSMENT: <input type="checkbox"/> STUCCO EMBOSSED <input type="checkbox"/> AZTECO EMBOSSED <input type="checkbox"/> SMOOTH	
FINISH: <input type="checkbox"/> STANDARD KYNAR <input type="checkbox"/> MP/SMP <input type="checkbox"/> OTHER:	



$A = \frac{\text{Panel Thickness} - 1/4"}{2}$   
 (ACTUAL DIMENSION MUST BE VERIFIED)

TRIM DIMENSION		
PANEL THICKNESS	DIM. "A"	STRETCH OUT
2"	1 3/4"	4 1/4"
2 1/2"	2 1/4"	4 3/4"
3"	2 3/4"	5 1/4"
4"	3 3/4"	6 1/4"
5"	4 3/4"	7 1/4"
6"	5 3/4"	8 1/4"

TRIM PROFILES AND DIMENSIONS ARE BASED UPON THE PUBLISHED KINGSPAN CONSTRUCTION DETAILS. ALL DIMENSIONS REQUIRE VERIFICATION. CUSTOM PROFILES AVAILABLE UPON REQUEST. THE ABOVE TRIM COMPONENT IS BASED UPON THE FOLLOWING KINGSPAN DETAILS:

CI-BS-04-KSV  
CI-WR-01-KSV

BASE TRIM

DETAIL #: KS SERIES VERT
DATE: 2021



# KINGSPAN BREAK FORM TRIMS

TRIM GIRTH:

QUANTITY OF BREAKS: 9

QUANTITY REQUIRED:

AT 10'-0" LENGTH (TO BE FIELD CUT AS REQUIRED)

GAUGE:  26GA  24GA  22GA

COLOR:

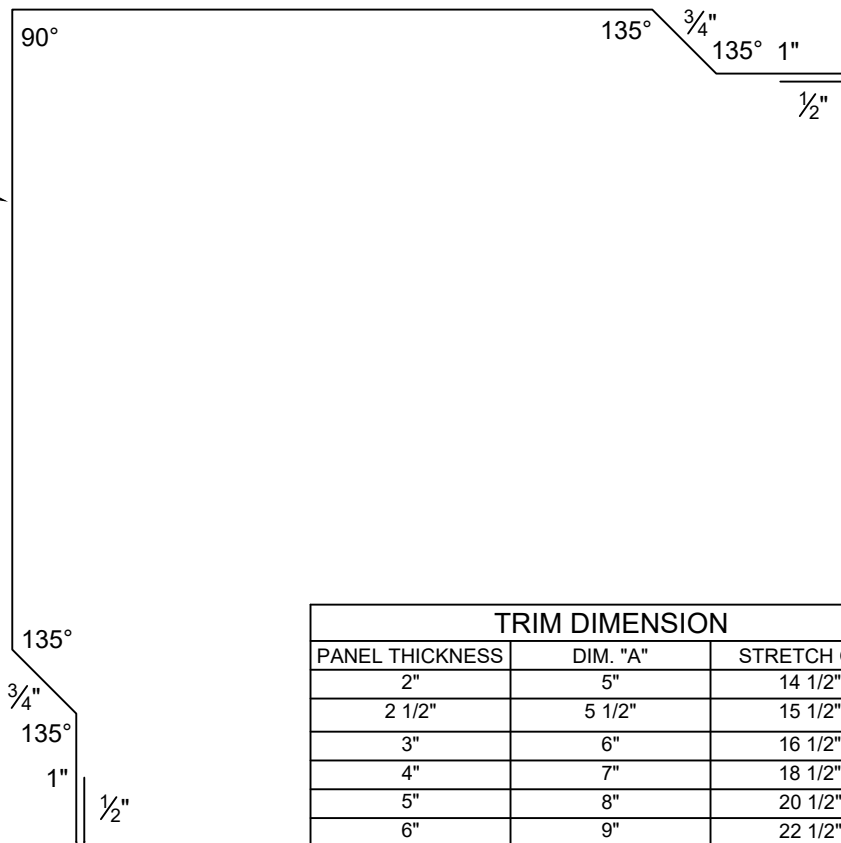
EMBOSSMENT:  STUCCO EMBOSSED  AZTECO EMBOSSED  SMOOTH

FINISH:  STANDARD KYNAR  MP/SMP  OTHER:

A= \_\_\_\_\_ "  
(PANEL THICKNESS + 3")  
(ACTUAL DIMENSIONS MUST BE VERIFIED)

COLOR →

A= \_\_\_\_\_ "  
(PANEL THICKNESS + 3")  
(ACTUAL DIMENSION MUST BE VERIFIED)



TRIM DIMENSION

PANEL THICKNESS	DIM. "A"	STRETCH OUT
2"	5"	14 1/2"
2 1/2"	5 1/2"	15 1/2"
3"	6"	16 1/2"
4"	7"	18 1/2"
5"	8"	20 1/2"
6"	9"	22 1/2"

TRIM PROFILES AND DIMENSIONS ARE BASED UPON THE PUBLISHED KINGSPAN CONSTRUCTION DETAILS. ALL DIMENSIONS REQUIRE VERIFICATION. CUSTOM PROFILES AVAILABLE UPON REQUEST. THE ABOVE TRIM COMPONENT IS BASED UPON THE FOLLOWING KINGSPAN DETAILS:

CI-OC-01-KSV

OUTSIDE CORNER

DETAIL #: KS SERIES VERT

DATE: 2021

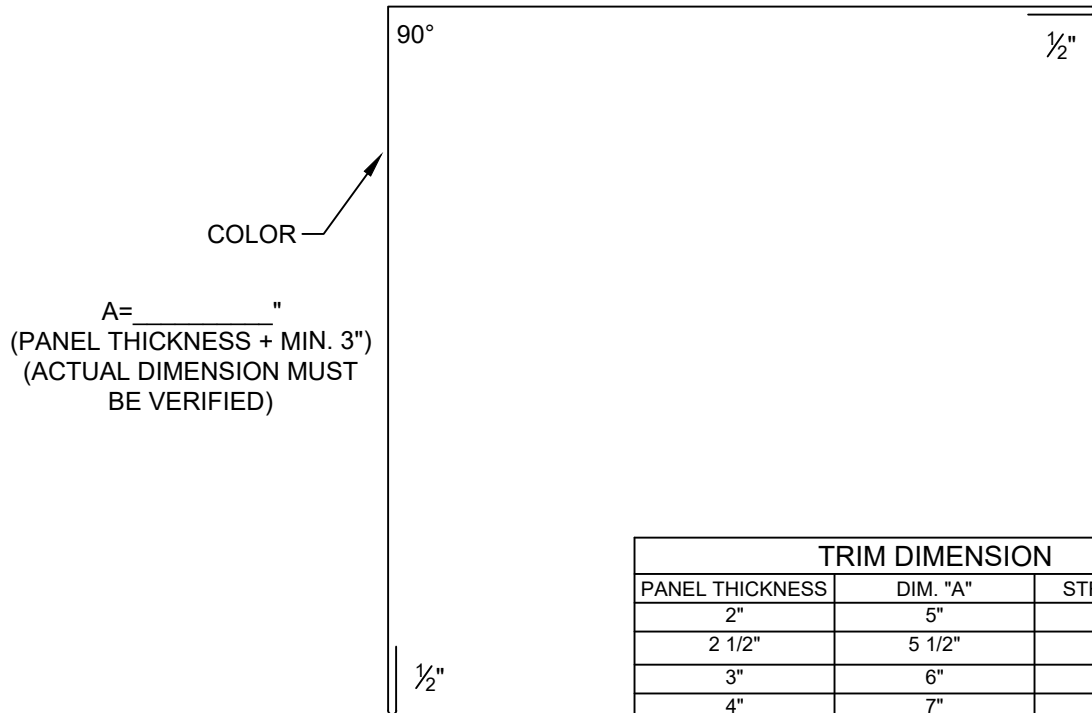


www.kingspanpanels.us  
www.kingspanpanels.ca

# KINGSPAN BREAK FORM TRIMS

TRIM GIRTH:	QUANTITY OF BREAKS: 5
QUANTITY REQUIRED:	AT 10'-0" LENGTH (TO BE FIELD CUT AS REQUIRED)
GAUGE: <input type="checkbox"/> 26GA <input type="checkbox"/> 24GA <input type="checkbox"/> 22GA	
COLOR:	
EMBOSSMENT: <input type="checkbox"/> STUCCO EMBOSSED <input type="checkbox"/> AZTECO EMBOSSED <input type="checkbox"/> SMOOTH	
FINISH: <input type="checkbox"/> STANDARD KYNAR <input type="checkbox"/> MP/SMP <input type="checkbox"/> OTHER:	

A= \_\_\_\_\_ "  
 (PANEL THICKNESS + MIN. 3")  
 (ACTUAL DIMENSIONS MUST BE VERIFIED)



TRIM DIMENSION		
PANEL THICKNESS	DIM. "A"	STRETCH OUT
2"	5"	11"
2 1/2"	5 1/2"	12"
3"	6"	13"
4"	7"	15"
5"	8"	17"
6"	9"	19"

TRIM PROFILES AND DIMENSIONS ARE BASED UPON THE PUBLISHED KINGSPAN CONSTRUCTION DETAILS. ALL DIMENSIONS REQUIRE VERIFICATION. CUSTOM PROFILES AVAILABLE UPON REQUEST. THE ABOVE TRIM COMPONENT IS BASED UPON THE FOLLOWING KINGSPAN DETAILS:

- CI-OC-02-KSV
- CI-IC-01-KSV
- CI-IC-02-KSV

OUTSIDE CORNER

DETAIL #: KS SERIES VERT
DATE: 2021

www.kingspanpanels.us  
www.kingspanpanels.ca

# KINGSPAN BREAK FORM TRIMS

TRIM GIRTH: 8.50

QUANTITY OF BREAKS: 9

QUANTITY REQUIRED:

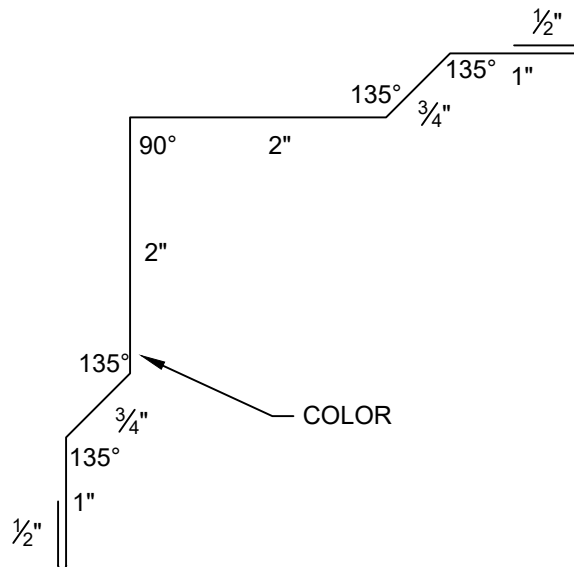
AT 10'-0" LENGTH (TO BE FIELD CUT AS REQUIRED)

GAUGE:  26GA  24GA  22GA

COLOR:

EMBOSSMENT:  STUCCO EMBOSSED  AZTECO EMBOSSED  SMOOTH

FINISH:  STANDARD KYNAR  MP/SMP  OTHER:



TRIM PROFILES AND DIMENSIONS ARE BASED UPON THE PUBLISHED KINGSPAN CONSTRUCTION DETAILS. ALL DIMENSIONS REQUIRE VERIFICATION. CUSTOM PROFILES AVAILABLE UPON REQUEST. THE ABOVE TRIM COMPONENT IS BASED UPON THE FOLLOWING KINGSPAN DETAILS:

CI-IC-01-KSV

INSIDE CORNER

DETAIL #: KS SERIES VERT

DATE: 2021



www.kingspanpanels.us  
www.kingspanpanels.ca



# KINGSPAN BREAK FORM TRIMS

TRIM GIRTH: 7.0"

QUANTITY OF BREAKS: 5

QUANTITY REQUIRED:

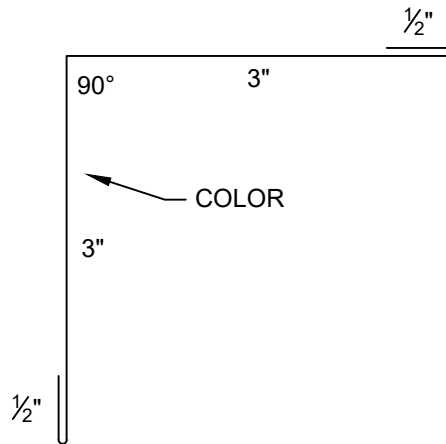
AT 10'-0" LENGTH (TO BE FIELD CUT AS REQUIRED)

GAUGE:  26GA  24GA  22GA

COLOR:

EMBOSSMENT:  STUCCO EMBOSSED  AZTECO EMBOSSED  SMOOTH

FINISH:  STANDARD KYNAR  MP/SMP  OTHER:



TRIM PROFILES AND DIMENSIONS ARE BASED UPON THE PUBLISHED KINGSPAN CONSTRUCTION DETAILS. ALL DIMENSIONS REQUIRE VERIFICATION. CUSTOM PROFILES AVAILABLE UPON REQUEST. THE ABOVE TRIM COMPONENT IS BASED UPON THE FOLLOWING KINGSPAN DETAILS:

- CI-OC-01-KSV      CI-SO-04-KSV
- CI-OC-02-KSV
- CI-IC-02-KSV
- CI-SO-02-KSV

INSIDE CORNER

DETAIL #: KS SERIES VERT

DATE: 2021



[www.kingspanpanels.us](http://www.kingspanpanels.us)  
[www.kingspanpanels.ca](http://www.kingspanpanels.ca)

# KINGSPAN BREAK FORM TRIMS

TRIM GIRTH:

QUANTITY OF BREAKS: 5

QUANTITY REQUIRED:

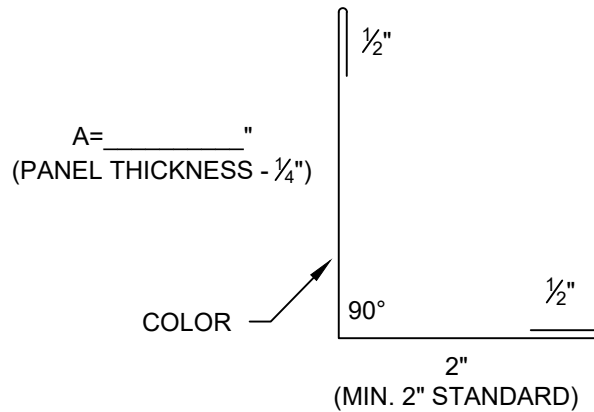
AT 10'-0" LENGTH (TO BE FIELD CUT AS REQUIRED)

GAUGE:  26GA  24GA  22GA

COLOR:

EMBOSSMENT:  STUCCO EMBOSSED  AZTECO EMBOSSED  SMOOTH

FINISH:  STANDARD KYNAR  MP/SMP  OTHER:



TRIM DIMENSION		
PANEL THICKNESS	DIM. "A"	STRETCH OUT
2"	1 3/4"	4 3/4"
2 1/2"	2 1/4"	5 1/4"
3"	2 3/4"	5 3/4"
4"	3 3/4"	6 3/4"
5"	4 3/4"	7 3/4"
6"	5 3/4"	8 3/4"

TRIM PROFILES AND DIMENSIONS ARE BASED UPON THE PUBLISHED KINGSPAN CONSTRUCTION DETAILS. ALL DIMENSIONS REQUIRE VERIFICATION. CUSTOM PROFILES AVAILABLE UPON REQUEST. THE ABOVE TRIM COMPONENT IS BASED UPON THE FOLLOWING KINGSPAN DETAILS:

- CI-FO-01-KSV
- CI-FO-03-KSV
- CI-FO-08-KSV
- CI-FO-10-KSV

CAP TRIM

DETAIL #: KS SERIES VERT

DATE: 2021



www.kingspanpanels.us  
www.kingspanpanels.ca

# KINGSPAN BREAK FORM TRIMS

TRIM GIRTH:

QUANTITY OF BREAKS: 6

QUANTITY REQUIRED:

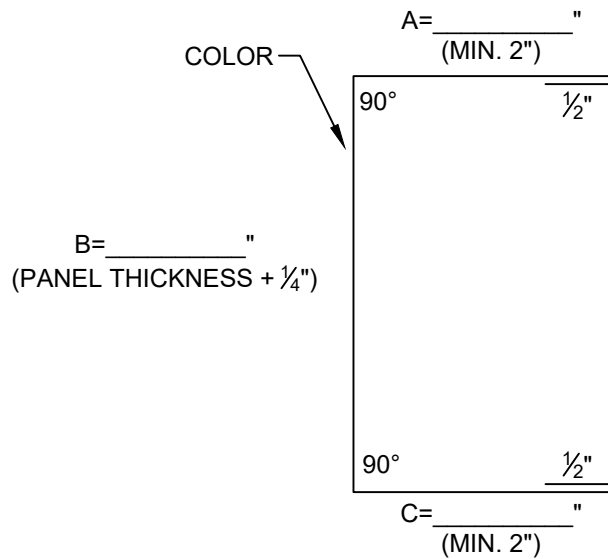
AT 10'-0" LENGTH (TO BE FIELD CUT AS REQUIRED)

GAUGE:  26GA  24GA  22GA

COLOR:

EMBOSSMENT:  STUCCO EMBOSSED  AZTECO EMBOSSED  SMOOTH

FINISH:  STANDARD KYNAR  MP/SMP  OTHER:



TRIM PROFILES AND DIMENSIONS ARE BASED UPON THE PUBLISHED KINGSPAN CONSTRUCTION DETAILS. ALL DIMENSIONS REQUIRE VERIFICATION. CUSTOM PROFILES AVAILABLE UPON REQUEST. THE ABOVE TRIM COMPONENT IS BASED UPON THE FOLLOWING KINGSPAN DETAILS:

CI-FO-07-KSV

CAP TRIM

DETAIL #: KS SERIES VERT

DATE: 2021



www.kingspanpanels.us  
www.kingspanpanels.ca

# KINGSPAN BREAK FORM TRIMS

TRIM GIRTH:

QUANTITY OF BREAKS: 2

QUANTITY REQUIRED:

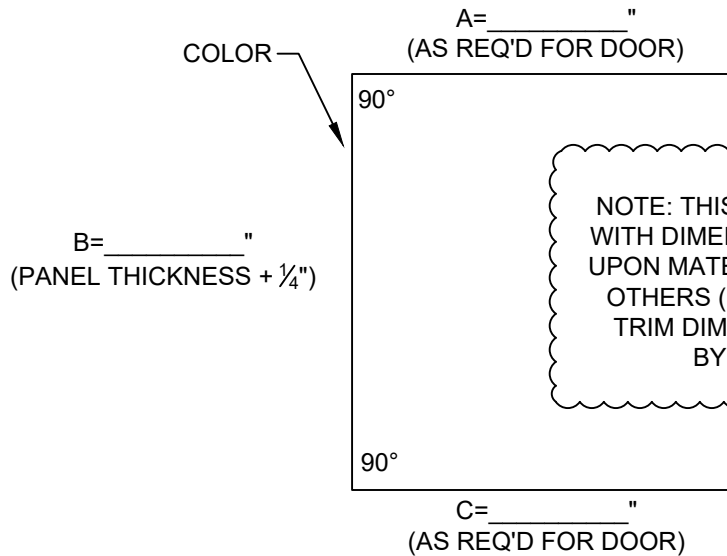
AT 10'-0" LENGTH (TO BE FIELD CUT AS REQUIRED)

GAUGE:  26GA  24GA  22GA

COLOR:

EMBOSSMENT:  STUCCO EMBOSSED  AZTECO EMBOSSED  SMOOTH

FINISH:  STANDARD KYNAR  MP/SMP  OTHER:



TRIM PROFILES AND DIMENSIONS ARE BASED UPON THE PUBLISHED KINGSPAN CONSTRUCTION DETAILS. ALL DIMENSIONS REQUIRE VERIFICATION. CUSTOM PROFILES AVAILABLE UPON REQUEST. THE ABOVE TRIM COMPONENT IS BASED UPON THE FOLLOWING KINGSPAN DETAILS:

CI-FO-07-KSV

CAP TRIM

DETAIL #: KS SERIES VERT

DATE: 2021



www.kingspanpanels.us  
www.kingspanpanels.ca

# KINGSPAN BREAK FORM TRIMS

TRIM GIRTH: 3.25"

QUANTITY OF BREAKS: 3

QUANTITY REQUIRED:

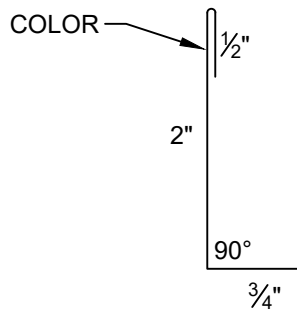
AT 10'-0" LENGTH (TO BE FIELD CUT AS REQUIRED)

GAUGE:  26GA  24GA  22GA

COLOR:

EMBOSSMENT:  STUCCO EMBOSSED  AZTECO EMBOSSED  SMOOTH

FINISH:  STANDARD KYNAR  MP/SMP  OTHER:



TRIM PROFILES AND DIMENSIONS ARE BASED UPON THE PUBLISHED KINGSPAN CONSTRUCTION DETAILS. ALL DIMENSIONS REQUIRE VERIFICATION. CUSTOM PROFILES AVAILABLE UPON REQUEST. THE ABOVE TRIM COMPONENT IS BASED UPON THE FOLLOWING KINGSPAN DETAILS:

- |              |              |              |
|--------------|--------------|--------------|
| CI-BS-02-KSV | CI-FO-08-KSV | CI-SO-03-KSV |
| CI-BS-05-KSV | CI-FO-09-KSV |              |
| CI-FO-01-KSV | CI-WR-02-KSV |              |
| CI-FO-02-KSV | CI-SO-01-KSV |              |

CAP TRIM/BASE TRIM

DETAIL #: KS SERIES VERT

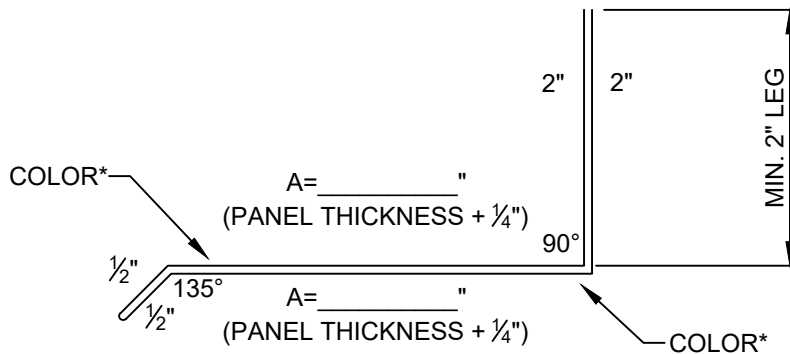
DATE: 2021



www.kingspanpanels.us  
www.kingspanpanels.ca

# KINGSPAN BREAK FORM TRIMS

TRIM GIRTH:	QUANTITY OF BREAKS: 6
QUANTITY REQUIRED:	AT 10'-0" LENGTH (TO BE FIELD CUT AS REQUIRED)
GAUGE: <input type="checkbox"/> 26GA <input type="checkbox"/> 24GA <input type="checkbox"/> 22GA	
COLOR:	
EMBOSSMENT: <input type="checkbox"/> STUCCO EMBOSSED <input type="checkbox"/> AZTECO EMBOSSED <input type="checkbox"/> SMOOTH	
FINISH: <input type="checkbox"/> STANDARD KYNAR <input type="checkbox"/> MP/SMP <input type="checkbox"/> OTHER:	



\*TRIM IS DOUBLED OVER FOR COLOR BOTH SIDES

TRIM DIMENSION		
PANEL THICKNESS	DIM. "A"	STRETCH OUT
2"	2 1/4"	9 1/2"
2 1/2"	2 3/4"	10 1/2"
3"	3 1/4"	11 1/2"
4"	4 1/4"	13 1/2"
5"	5 1/4"	15 1/2"
6"	6 1/4"	17 1/2"

TRIM PROFILES AND DIMENSIONS ARE BASED UPON THE PUBLISHED KINGSPAN CONSTRUCTION DETAILS. ALL DIMENSIONS REQUIRE VERIFICATION. CUSTOM PROFILES AVAILABLE UPON REQUEST. THE ABOVE TRIM COMPONENT IS BASED UPON THE FOLLOWING KINGSPAN DETAILS:

CI-FO-02-KSV  
CI-FO-09-KSV

## DRIP FLASHING

DETAIL #: KS SERIES VERT

DATE: 2021



www.kingspanpanels.us  
www.kingspanpanels.ca

# KINGSPAN BREAK FORM TRIMS

TRIM GIRTH:

QUANTITY OF BREAKS: 4

QUANTITY REQUIRED:

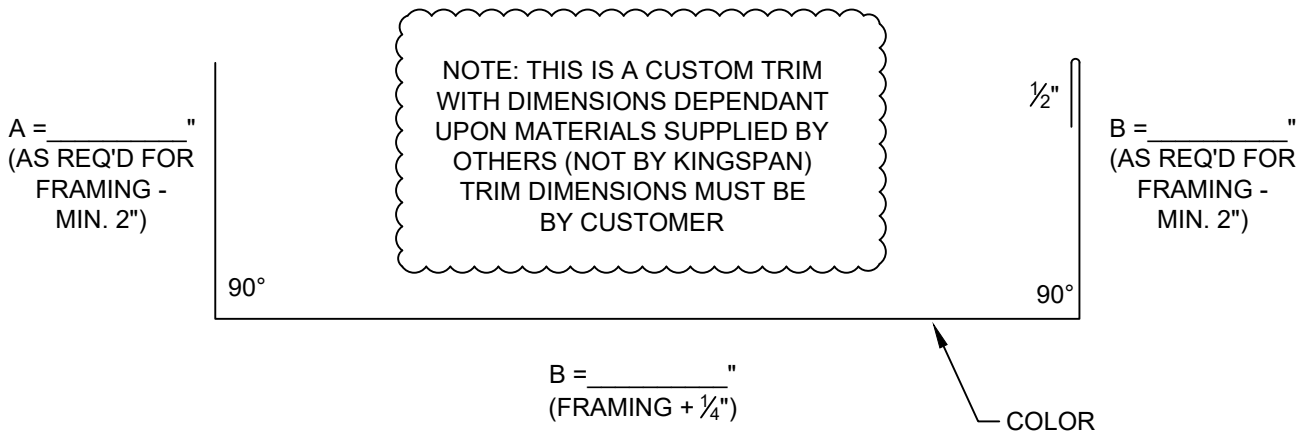
AT 10'-0" LENGTH (TO BE FIELD CUT AS REQUIRED)

GAUGE:  26GA  24GA  22GA

COLOR:

EMBOSSMENT:  STUCCO EMBOSSED  AZTECO EMBOSSED  SMOOTH

FINISH:  STANDARD KYNAR  MP/SMP  OTHER:



TRIM PROFILES AND DIMENSIONS ARE BASED UPON THE PUBLISHED KINGSPAN CONSTRUCTION DETAILS. ALL DIMENSIONS REQUIRE VERIFICATION. CUSTOM PROFILES AVAILABLE UPON REQUEST. THE ABOVE TRIM COMPONENT IS BASED UPON THE FOLLOWING KINGSPAN DETAILS:

- CI-FO-08-KSV
- CI-FO-09-KSV
- CI-FO-10-KSV

HEADER / JAMB TRIM

DETAIL #: KS SERIES VERT

---

DATE: 2021



# KINGSPAN BREAK FORM TRIMS

TRIM GIRTH:

QUANTITY OF BREAKS: 4

QUANTITY REQUIRED:

AT 10'-0" LENGTH (TO BE FIELD CUT AS REQUIRED)

GAUGE:  26GA  24GA  22GA

COLOR:

EMBOSSMENT:  STUCCO EMBOSSED  AZTECO EMBOSSED  SMOOTH

FINISH:  STANDARD KYNAR  MP/SMP  OTHER:

A= \_\_\_\_\_ "  
(MIN. 1/2" OR FIELD BREAK  
AS REQUIRED)

B= \_\_\_\_\_ "  
(PANEL THICKNESS +  
DOOR/WINDOW  
REQUIREMENTS)

COLOR →

C= \_\_\_\_\_ "  
(MIN. 2")

NOTE: THIS IS A CUSTOM TRIM  
WITH DIMENSIONS DEPENDANT  
UPON MATERIALS SUPPLIED BY  
OTHERS (NOT BY KINGSPAN)  
TRIM DIMENSIONS MUST BE  
BY CUSTOMER

TRIM PROFILES AND DIMENSIONS ARE BASED UPON THE PUBLISHED KINGSPAN CONSTRUCTION DETAILS. ALL DIMENSIONS REQUIRE VERIFICATION. CUSTOM PROFILES AVAILABLE UPON REQUEST. THE ABOVE TRIM COMPONENT IS BASED UPON THE FOLLOWING KINGSPAN DETAILS:

CI-FO-04-KSV

CAP TRIM

DETAIL #: KS SERIES VERT

DATE: 2021



www.kingspanpanels.us  
www.kingspanpanels.ca



# KINGSPAN BREAK FORM TRIMS

TRIM GIRTH:

QUANTITY OF BREAKS: 5

QUANTITY REQUIRED:

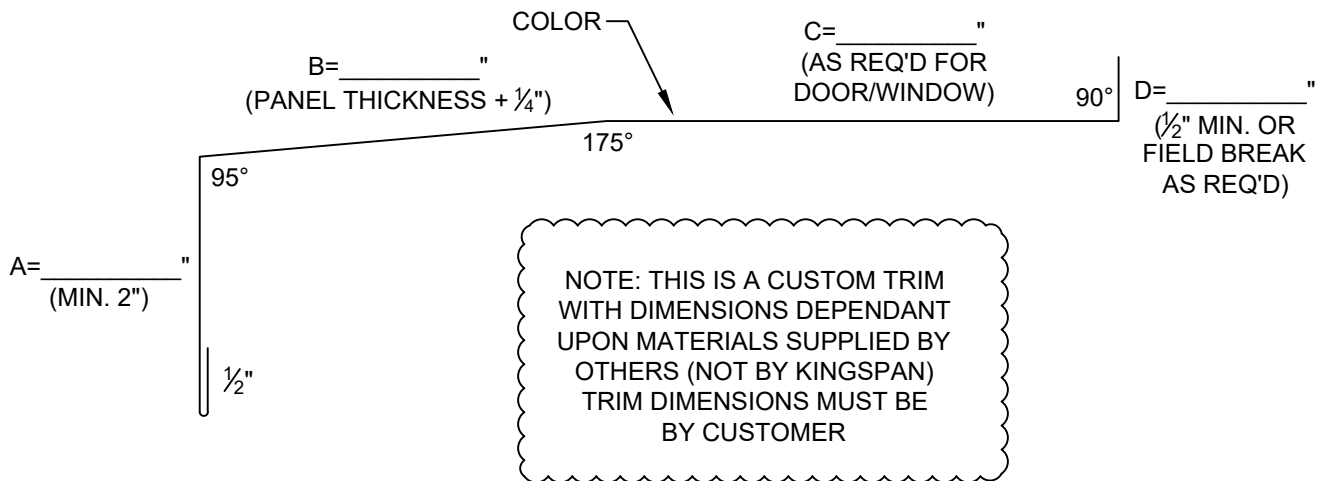
AT 10'-0" LENGTH (TO BE FIELD CUT AS REQUIRED)

GAUGE:  26GA  24GA  22GA

COLOR:

EMBOSSMENT:  STUCCO EMBOSSED  AZTECO EMBOSSED  SMOOTH

FINISH:  STANDARD KYNAR  MP/SMP  OTHER:



TRIM PROFILES AND DIMENSIONS ARE BASED UPON THE PUBLISHED KINGSPAN CONSTRUCTION DETAILS. ALL DIMENSIONS REQUIRE VERIFICATION. CUSTOM PROFILES AVAILABLE UPON REQUEST. THE ABOVE TRIM COMPONENT IS BASED UPON THE FOLLOWING KINGSPAN DETAILS:

CI-FO-06-KSV

**SILL TRIM**

DETAIL #: KS SERIES VERT

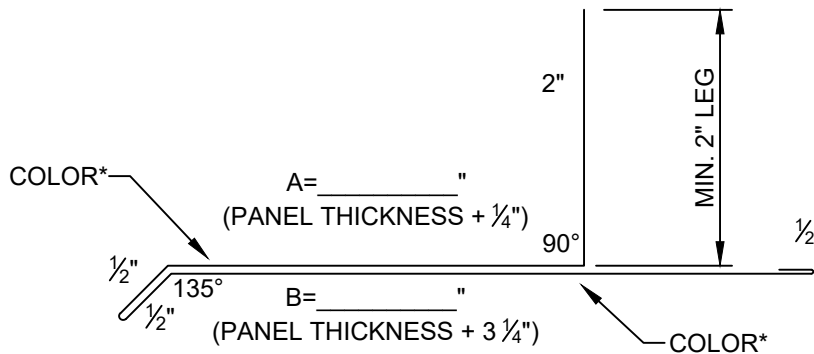
DATE: 2021



www.kingspanpanels.us  
www.kingspanpanels.ca

# KINGSPAN BREAK FORM TRIMS

TRIM GIRTH:	QUANTITY OF BREAKS: 6
QUANTITY REQUIRED:	AT 10'-0" LENGTH (TO BE FIELD CUT AS REQUIRED)
GAUGE: <input type="checkbox"/> 26GA <input type="checkbox"/> 24GA <input type="checkbox"/> 22GA	
COLOR:	
EMBOSSMENT: <input type="checkbox"/> STUCCO EMBOSSED <input type="checkbox"/> AZTECO EMBOSSED <input type="checkbox"/> SMOOTH	
FINISH: <input type="checkbox"/> STANDARD KYNAR <input type="checkbox"/> MP/SMP <input type="checkbox"/> OTHER:	



\*TRIM IS DOUBLED OVER FOR COLOR BOTH SIDES

TRIM DIMENSION			
PANEL THICKNESS	DIM "A"	DIM "B"	STRETCH OUT
2"	2 1/4"	5 1/4"	11"
2 1/2"	2 3/4"	5 3/4"	12"
3"	3 1/4"	6 1/4"	13"
4"	4 1/4"	7 1/4"	15"
5"	5 1/4"	8 1/4"	17"
6"	6 1/4"	9 1/4"	19"

TRIM PROFILES AND DIMENSIONS ARE BASED UPON THE PUBLISHED KINGSPAN CONSTRUCTION DETAILS. ALL DIMENSIONS REQUIRE VERIFICATION. CUSTOM PROFILES AVAILABLE UPON REQUEST. THE ABOVE TRIM COMPONENT IS BASED UPON THE FOLLOWING KINGSPAN DETAILS:

CI-SO-01-KSV  
CI-SO-03-KSV

## SOFFIT TRIM

DETAIL #: KS SERIES VERT

DATE: 2021



www.kingspanpanels.us  
www.kingspanpanels.ca

# KINGSPAN BREAK FORM TRIMS

TRIM GIRTH:

QUANTITY OF BREAKS: 8

QUANTITY REQUIRED:

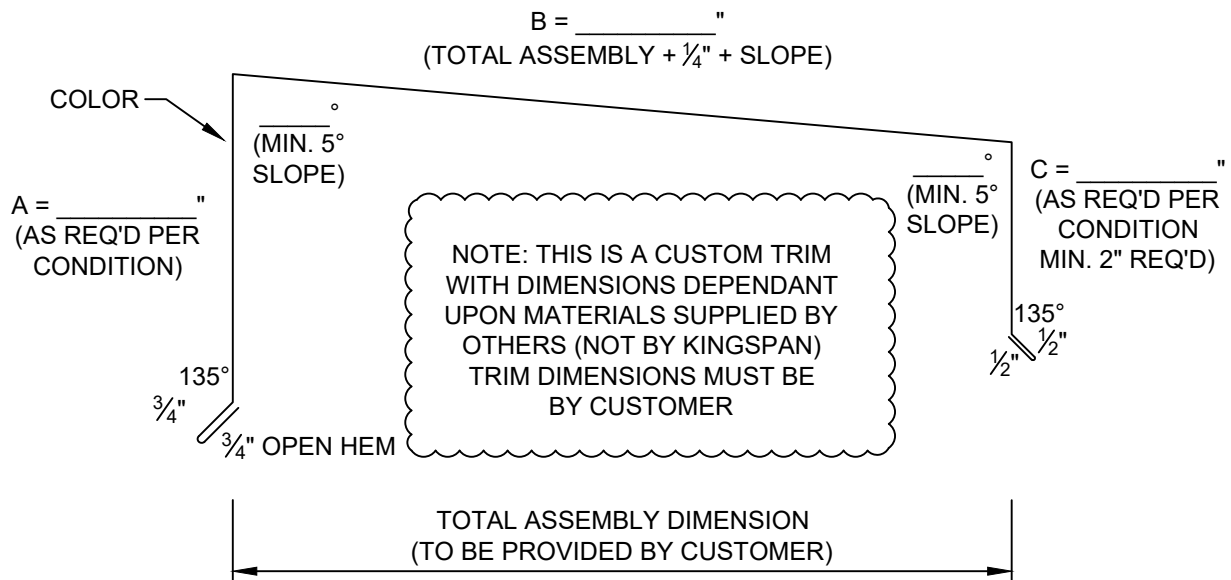
AT 10'-0" LENGTH (TO BE FIELD CUT AS REQUIRED)

GAUGE:  26GA  24GA  22GA

COLOR:

EMBOSSMENT:  STUCCO EMBOSSED  AZTECO EMBOSSED  SMOOTH

FINISH:  STANDARD KYNAR  MP/SMP  OTHER:



TRIM PROFILES AND DIMENSIONS ARE BASED UPON THE PUBLISHED KINGSPAN CONSTRUCTION DETAILS. ALL DIMENSIONS REQUIRE VERIFICATION. CUSTOM PROFILES AVAILABLE UPON REQUEST. THE ABOVE TRIM COMPONENT IS BASED UPON THE FOLLOWING KINGSPAN DETAILS:

CI-PR-01-KSV

PARAPET CAP

DETAIL #: KS SERIES VERT

DATE: 2021



www.kingspanpanels.us  
www.kingspanpanels.ca

# KINGSPAN BREAK FORM TRIMS

TRIM GIRTH:

QUANTITY OF BREAKS: 2

QUANTITY REQUIRED:

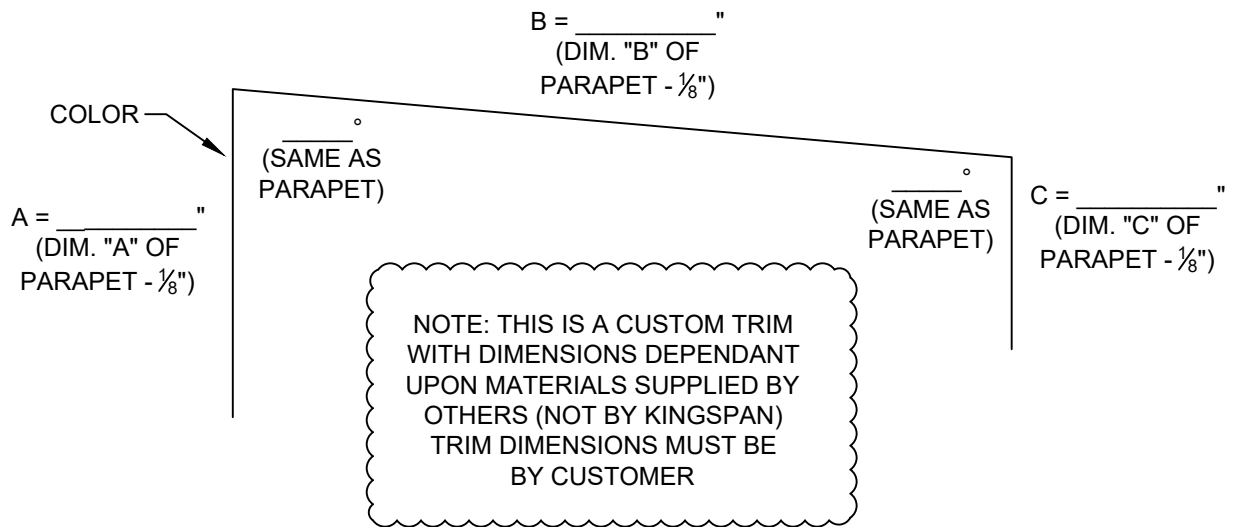
AT 0'-8" LENGTH

GAUGE:  26GA  24GA  22GA

COLOR:

EMBOSSMENT:  STUCCO EMBOSSED  AZTECO EMBOSSED  SMOOTH

FINISH:  STANDARD KYNAR  MP/SMP  OTHER:



TRIM PROFILES AND DIMENSIONS ARE BASED UPON THE PUBLISHED KINGSPAN CONSTRUCTION DETAILS. ALL DIMENSIONS REQUIRE VERIFICATION. CUSTOM PROFILES AVAILABLE UPON REQUEST. THE ABOVE TRIM COMPONENT IS BASED UPON THE FOLLOWING KINGSPAN DETAILS:

CI-TL-03-KSV

PARAPET LAP STRIP

DETAIL #: KS SERIES VERT

DATE: 2021



www.kingspanpanels.us  
www.kingspanpanels.ca

# KINGSPAN BREAK FORM TRIMS

TRIM GIRTH:

QUANTITY OF BREAKS: 1

QUANTITY REQUIRED:

AT 10'-0" LENGTH (TO BE FIELD CUT AS REQUIRED)

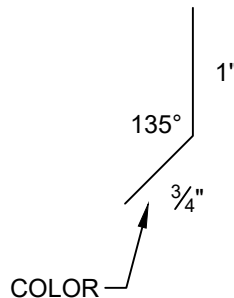
GAUGE:  26GA  24GA  22GA

COLOR:

EMBOSSMENT:  STUCCO EMBOSSED  AZTECO EMBOSSED  SMOOTH

FINISH:  STANDARD KYNAR  MP/SMP  OTHER:

NOTE: CLEAT GAGE SHOULD BE  
REVIEWED BY KINGSPAN  
ENGINEERING BASED ON  
PARAPET TRIM DESIGN



TRIM PROFILES AND DIMENSIONS ARE BASED UPON THE PUBLISHED KINGSPAN CONSTRUCTION DETAILS. ALL DIMENSIONS REQUIRE VERIFICATION. CUSTOM PROFILES AVAILABLE UPON REQUEST. THE ABOVE TRIM COMPONENT IS BASED UPON THE FOLLOWING KINGSPAN DETAILS:

CI-PR-01-KSV

PARAPET CLEAT

DETAIL #: KS SERIES VERT

DATE: 2021

  
**Kingspan**  
Insulated Panels

[www.kingspanpanels.us](http://www.kingspanpanels.us)  
[www.kingspanpanels.ca](http://www.kingspanpanels.ca)

# KINGSPAN BREAK FORM TRIMS

TRIM GIRTH:

QUANTITY OF BREAKS: 9

QUANTITY REQUIRED:

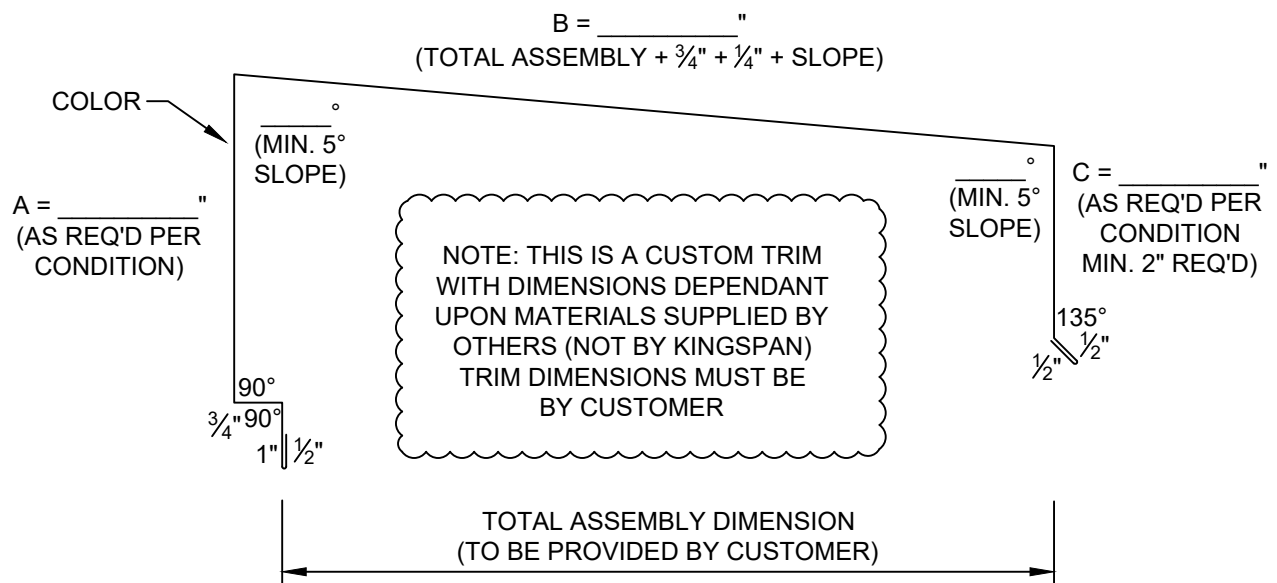
AT 10'-0" LENGTH (TO BE FIELD CUT AS REQUIRED)

GAUGE:  26GA  24GA  22GA

COLOR:

EMBOSSMENT:  STUCCO EMBOSSED  AZTECO EMBOSSED  SMOOTH

FINISH:  STANDARD KYNAR  MP/SMP  OTHER:



TRIM PROFILES AND DIMENSIONS ARE BASED UPON THE PUBLISHED KINGSPAN CONSTRUCTION DETAILS. ALL DIMENSIONS REQUIRE VERIFICATION. CUSTOM PROFILES AVAILABLE UPON REQUEST. THE ABOVE TRIM COMPONENT IS BASED UPON THE FOLLOWING KINGSPAN DETAILS:

CI-PR-02-KSV

PARAPET CAP

DETAIL #: KS SERIES VERT

DATE: 2021



www.kingspanpanels.us  
www.kingspanpanels.ca

# KINGSPAN BREAK FORM TRIMS

TRIM GIRTH:

QUANTITY OF BREAKS: 3

QUANTITY REQUIRED:

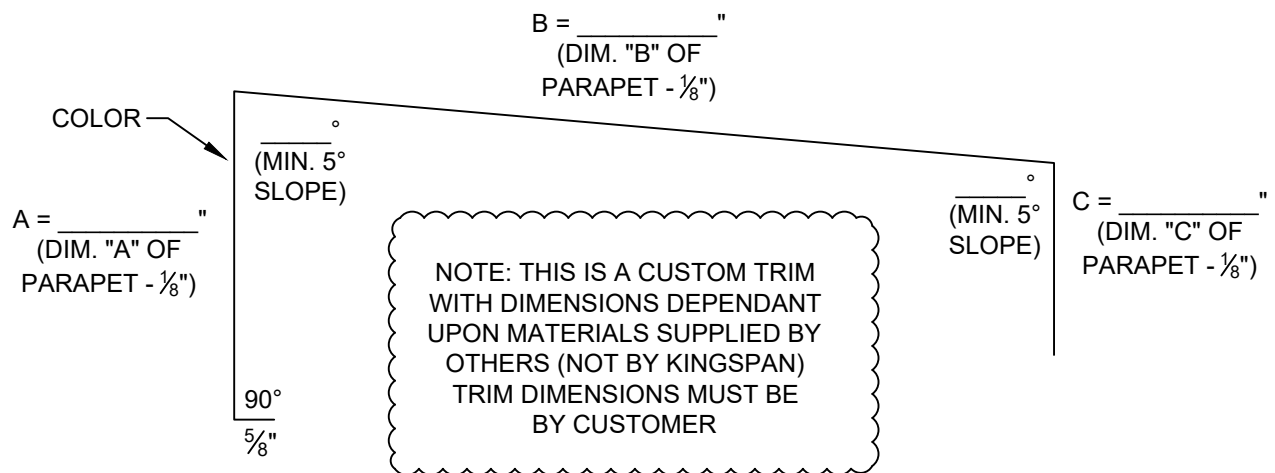
AT 0'-8" LENGTH

GAUGE:  26GA  24GA  22GA

COLOR:

EMBOSSMENT:  STUCCO EMBOSSED  AZTECO EMBOSSED  SMOOTH

FINISH:  STANDARD KYNAR  MP/SMP  OTHER:



TRIM PROFILES AND DIMENSIONS ARE BASED UPON THE PUBLISHED KINGSPAN CONSTRUCTION DETAILS. ALL DIMENSIONS REQUIRE VERIFICATION. CUSTOM PROFILES AVAILABLE UPON REQUEST. THE ABOVE TRIM COMPONENT IS BASED UPON THE FOLLOWING KINGSPAN DETAILS:

CI-TL-03-KSV (PROFILED TRIM LAP STRIP)

PARAPET LAP STRIP

DETAIL #: KS SERIES VERT

DATE: 2021



www.kingspanpanels.us  
www.kingspanpanels.ca